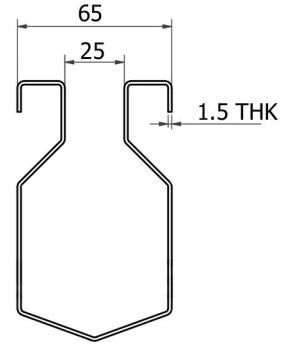
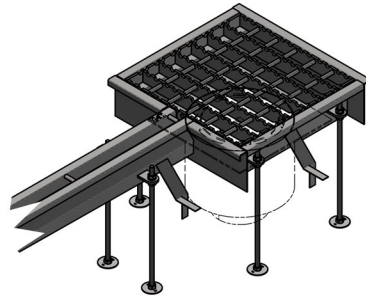


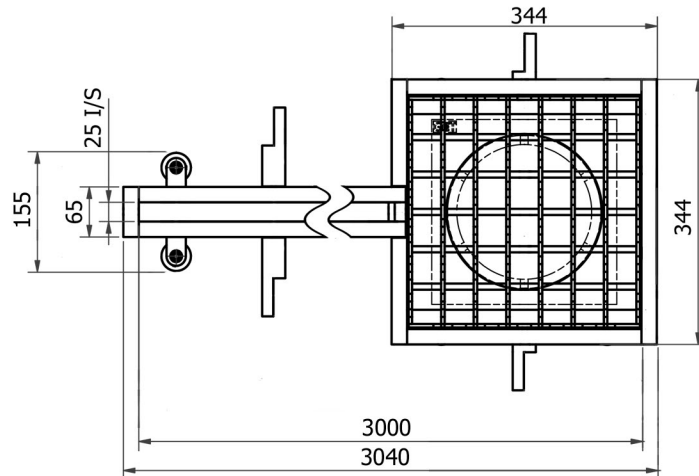
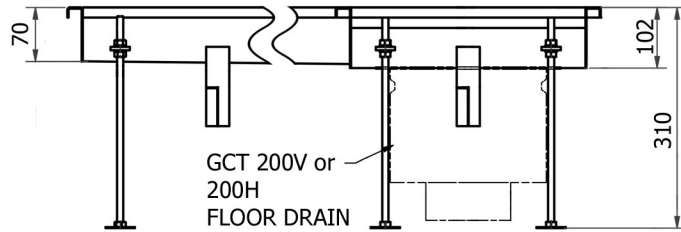
GCT-IND SC 3MS SLOT CHANNEL 3040 X 65 SIDE OUTLET SKU:100-001-A000

Stainless steel slot channel (strip channel) with slope, for tiled, concrete and resin flooring in commercial kitchens, breweries, supermarkets and food processing areas, etc. For washdown or breakwater applications with limited solids.



Specification

Standard (RSA): SANS 51253-1
Standard (EN): EN 1253-1
Floor: Tiles, resin, concrete
Material (EN): 1.4301 (304) or 1.4404 (316)
Channel material thickness (mm): 1.5
Channel slope: 1:100 (1%)
Odour trap: Yes, integral, tamper-proof
Water seal height (mm): 50
Solids basket: Yes
Solids basket volume (l): 0.67
Surface finish: Pickled and passivated, polished
Membrane type: No membrane
Adjustable: No
Load class: L15 to N250
Number of screws: 2 (odour trap)
Gasket: No
Gasket material: NA
Levelling feet: Yes
Number of inlets: 0
Inlet/s diameter (mm): NA
Floor drain placement: Side
Outlet direction: Vertical or Horizontal
Outlet diameter (mm): 110
Minimum height (mm): 310
Body diameter (mm): 202
Overall dimensions (mm): 3040 l X 344 w X 310 h
Weight (kg): 18.3



Order Sheet:

Please mark option/s in each box with an X. * (asterisk) indicates special order. If no options are selected the product is supplied as standard.

MATERIAL	CHANNEL EDGE PROFILE	GRATING LOAD CLASS	FLOOR DRAIN	OUTLET PIPE DIRECTION
select one X	select one X	select one X	select one X	select one X
<input type="checkbox"/> 304 <input type="checkbox"/> 316*	<div style="display: flex; flex-direction: column;"> <div style="display: flex; align-items: center;"> <input type="checkbox"/> </div> <div style="margin-left: 20px;"> <p>PLAIN FOLDED EDGE Edge backfilling with concrete or resin must be done on site to protect against deformation</p> </div> </div> <div style="display: flex; flex-direction: column;"> <div style="display: flex; align-items: center;"> <input type="checkbox"/> </div> <div style="margin-left: 20px;"> <p>SINGLE SOLID EDGE* A solid stainless steel bar is welded underneath the top channel edge.</p> </div> </div> <p>Note: A single solid edge provides optimal strength, preventing channel deformation under heavy loads. See GCT Channel Edge Profile.pdf</p>	<input type="checkbox"/> L15 (1500KG) <input type="checkbox"/> R50 (5000KG)* <input type="checkbox"/> M125 (12500KG)* <input type="checkbox"/> N250 (25000KG)* See GCT Load CLasses.pdf	<input type="checkbox"/> 200V <input type="checkbox"/> 200H* <p>Note: The 200H floor drain adds 50mm to the total depth of the channel. See dimensions above.</p>	<input type="checkbox"/> A* <input type="checkbox"/> B* <input type="checkbox"/> C* <input type="checkbox"/> D* <p>Note: The outlet direction only applies to the 200H floor drain.</p>

Qty:	Name:	Signature:	Date:	Company:	PO no:
------	-------	------------	-------	----------	--------