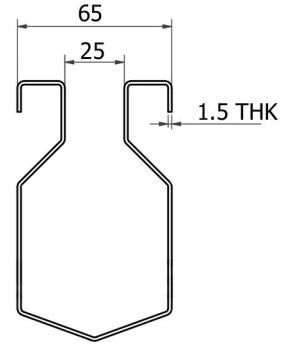
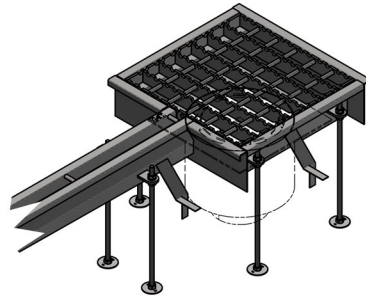


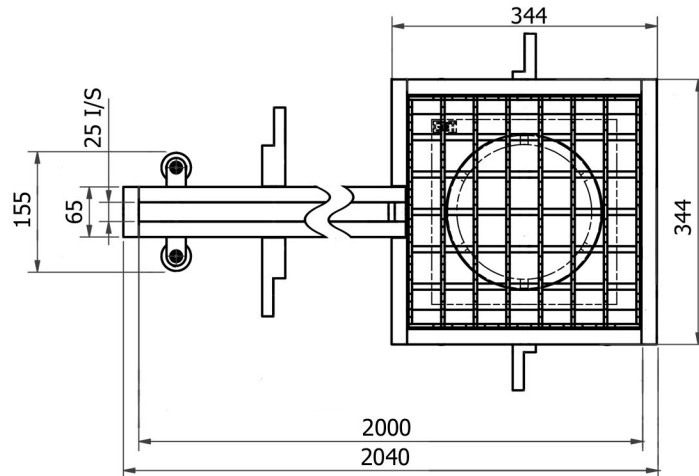
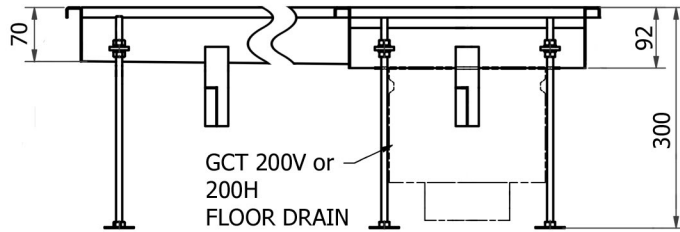
## GCT-IND SC 2MS SLOT CHANNEL 2040 X 65 SIDE OUTLET SKU:098-001-A000

Stainless steel slot channel (strip channel) with slope, for tiled, concrete and resin flooring in commercial kitchens, breweries, supermarkets and food processing areas, etc. For washdown or breakwater applications with limited solids.



### Specification

Standard (RSA): SANS 51253-1  
Standard (EN): EN 1253-1  
Floor: Tiles, resin, concrete  
Material (EN): 1.4301 (304) or 1.4404 (316)  
Channel material thickness (mm): 1.5  
Channel slope: 1:100 (1%)  
Odour trap: Yes, integral, tamper-proof  
Water seal height (mm): 50  
Solids basket: Yes  
Solids basket volume (l): 0.67  
Surface finish: Pickled and passivated, polished  
Membrane type: No membrane  
Adjustable: No  
Load class: L15 to N250  
Number of screws: 2 (odour trap)  
Gasket: No  
Gasket material: NA  
Levelling feet: Yes  
Number of inlets: 0  
Inlet/s diameter (mm): NA  
Floor drain placement: Side  
Outlet direction: Vertical or Horizontal  
Outlet diameter (mm): 110  
Minimum height (mm): 300  
Body diameter (mm): 202  
Overall dimensions (mm): 2040 l X 344 w X 300 h  
Weight (kg): 13.8



### Order Sheet:

Please mark option/s in each box with an X. \* (asterisk) indicates special order. If no options are selected the product is supplied as standard.

MATERIAL	CHANNEL EDGE PROFILE	GRATING LOAD CLASS	FLOOR DRAIN	OUTLET PIPE DIRECTION
select one <b>X</b>	select one <b>X</b>	select one <b>X</b>	select one <b>X</b>	select one <b>X</b>
<input type="checkbox"/> 304 <input type="checkbox"/> 316*	<div style="display: flex; flex-direction: column; align-items: center;"> <div style="display: flex; align-items: center; margin-bottom: 10px;"> <input type="checkbox"/> </div> <div style="text-align: center;"> <p><b>PLAIN FOLDED EDGE</b> Edge backfilling with concrete or resin must be done on site to protect against deformation</p> </div> <div style="display: flex; align-items: center; margin-bottom: 10px;"> <input type="checkbox"/> </div> <div style="text-align: center;"> <p><b>SINGLE SOLID EDGE*</b> A solid stainless steel bar is welded underneath the top channel edge.</p> </div> </div> <p>Note: A single solid edge provides optimal strength, preventing channel deformation under heavy loads. See <a href="#">GCT Channel Edge Profile.pdf</a></p>	<input type="checkbox"/> L15 (1500KG) <input type="checkbox"/> R50 (5000KG)* <input type="checkbox"/> M125 (12500KG)* <input type="checkbox"/> N250 (25000KG)* See <a href="#">GCT Load CLasses.pdf</a>	<input type="checkbox"/> 200V <input type="checkbox"/> 200H* <p>Note: The 200H floor drain adds 50mm to the total depth of the channel. See dimensions above.</p>	<div style="display: flex; justify-content: space-around;"> <div style="text-align: center;"> <input type="checkbox"/> A*  <input type="checkbox"/> C*                     </div> <div style="text-align: center;"> <input type="checkbox"/> B*  <input type="checkbox"/> D*                     </div> </div> <div style="text-align: center; margin-top: 10px;"> </div> <p>Note: The outlet direction only applies to the 200H floor drain.</p>

Qty:	Name:	Signature:	Date:	Company:	PO no:
------	-------	------------	-------	----------	--------