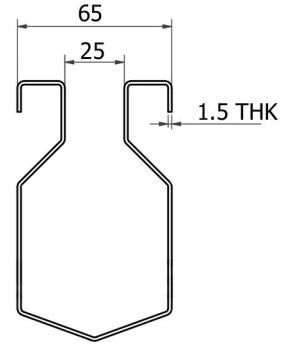
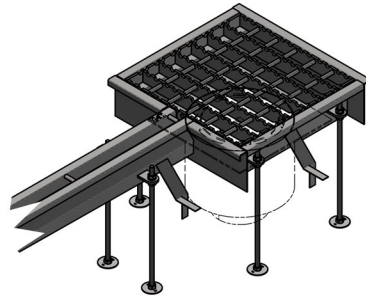


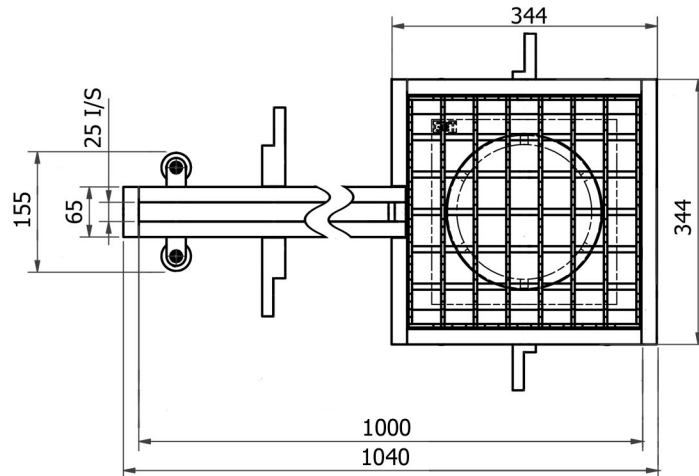
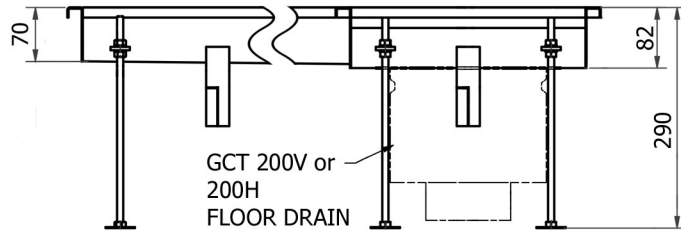
GCT-IND SC 1MS SLOT CHANNEL 1040 X 65 SIDE OUTLET SKU:096-001-A000

Stainless steel slot channel (strip channel) with slope, for tiled, concrete and resin flooring in commercial kitchens, breweries, supermarkets and food processing areas, etc. For washdown or breakwater applications with limited solids.



Specification

- Standard (RSA): SANS 51253-1
- Standard (EN): EN 1253-1
- Floor: Tiles, resin, concrete
- Material (EN): 1.4301 (304) or 1.4404 (316)
- Channel material thickness (mm): 1.5
- Channel slope: 1:100 (1%)
- Odour trap: Yes, integral, tamper-proof
- Water seal height (mm): 50
- Solids basket: Yes
- Solids basket volume (l): 0.67
- Surface finish: Pickled and passivated, polished
- Membrane type: No membrane
- Adjustable: No
- Load class: L15 to N250
- Number of screws: 2 (odour trap)
- Gasket: No
- Gasket material: NA
- Levelling feet: Yes
- Number of inlets: 0
- Inlet/s diameter (mm): NA
- Floor drain placement: Side
- Outlet direction: Vertical or Horizontal
- Outlet diameter (mm): 110
- Minimum height (mm): 290
- Body diameter (mm): 202
- Overall dimensions (mm): 1040 l X 344 w X 290 h
- Weight (kg): 9.5



Order Sheet:

Please mark option/s in each box with an X. * (asterisk) indicates special order. If no options are selected the product is supplied as standard.

| MATERIAL | CHANNEL EDGE PROFILE | GRATING LOAD CLASS | FLOOR DRAIN | OUTLET PIPE DIRECTION |
|---|--|---|--|--|
| select one X | select one X | select one X | select one X | select one X |
| <input type="checkbox"/> 304 <input type="checkbox"/> 316* | <div style="display: flex; flex-direction: column; align-items: center;"> <div style="display: flex; align-items: center; margin-bottom: 10px;"> <input type="checkbox"/> <div style="margin-left: 10px;"> <p>PLAIN FOLDED EDGE Edge backfilling with concrete or resin must be done on site to protect against deformation</p> </div> </div> <div style="display: flex; align-items: center;"> <input type="checkbox"/> <div style="margin-left: 10px;"> <p>SINGLE SOLID EDGE* A solid stainless steel bar is welded underneath the top channel edge.</p> </div> </div> </div> <p>Note: A single solid edge provides optimal strength, preventing channel deformation under heavy loads. See GCT Channel Edge Profile.pdf</p> | <input type="checkbox"/> L15 (1500KG) <input type="checkbox"/> R50 (5000KG)* <input type="checkbox"/> M125 (12500KG)* <input type="checkbox"/> N250 (25000KG)* See GCT Load CLasses.pdf | <input type="checkbox"/> 200V <input type="checkbox"/> 200H* Note: The 200H floor drain adds 50mm to the total depth of the channel. See dimensions above. | <div style="display: flex; flex-wrap: wrap; justify-content: space-around;"> <div style="text-align: center;"><input type="checkbox"/> A*</div> <div style="text-align: center;"><input type="checkbox"/> B*</div> <div style="text-align: center;"><input type="checkbox"/> C*</div> <div style="text-align: center;"><input type="checkbox"/> D*</div> </div> <div style="text-align: center; margin-top: 10px;"> </div> <p>Note: The outlet direction only applies to the 200H floor drain.</p> |

| | | | | | |
|------|-------|------------|-------|----------|--------|
| Qty: | Name: | Signature: | Date: | Company: | PO no: |
|------|-------|------------|-------|----------|--------|