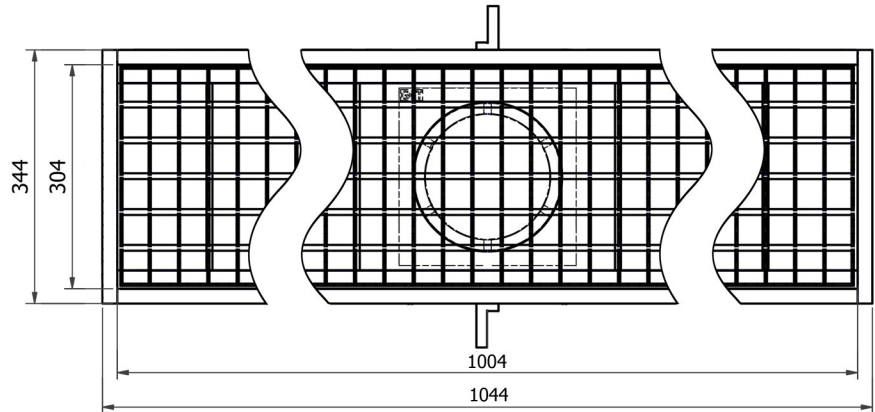
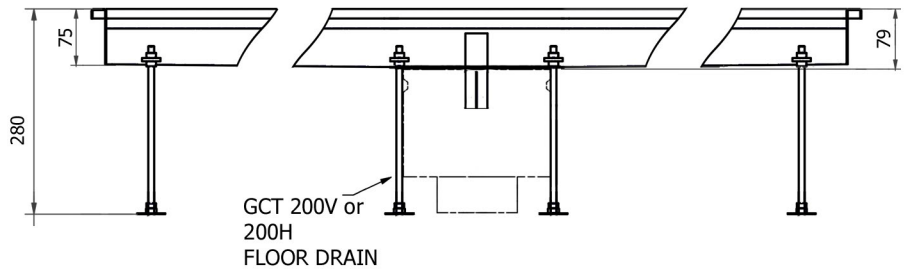
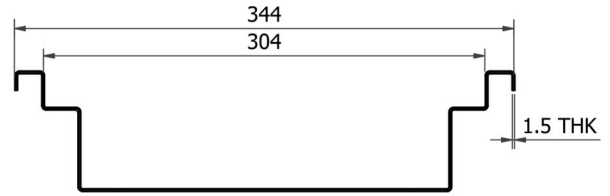
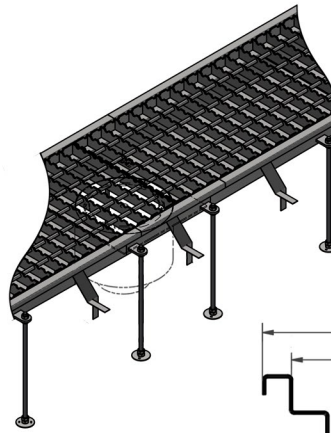


## GCT-IND FC 1MC BOX CHANNEL 1044 X 344 CENTRE OUTLET SKU:087-001-A000

Stainless steel box channel with slope, for tiled, concrete and resin flooring in commercial kitchens, breweries, supermarkets and food processing areas, etc. For higher flow areas with vessel or pipe discharge and washdown water runoff with higher solids.

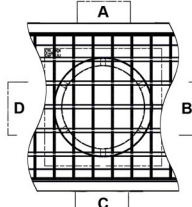
### Specification

- Standard (RSA): SANS 51253-1
- Standard (EN): EN 1253-1
- Floor: Tiles, resin, concrete
- Material (EN): 1.4301 (304) or 1.4404 (316)
- Channel material thickness (mm): 1.5
- Channel slope: 1:100 (1%)
- Odour trap: Yes, integral, tamper-proof
- Water seal height (mm): 50
- Solids basket: Yes
- Solids basket volume (l): 0.67
- Surface finish: Pickled and passivated, polished
- Membrane type: No membrane
- Adjustable: No
- Load class: K3 to N250
- Number of screws: 2 (odour trap)
- Gasket: No
- Gasket material: NA
- Levelling feet: Yes
- Number of inlets: 0
- Inlet/s diameter (mm): NA
- Floor drain placement: Centre
- Outlet direction: Vertical or Horizontal
- Outlet diameter (mm): 110
- Minimum height (mm): 280
- Body diameter (mm): 202
- Overall dimensions (mm): 1044 l X 344 w X 280 h
- Weight (kg): 16.0



### Order Sheet:

Please mark option/s in each box with an X. \* (asterisk) indicates special order. If no options are selected the product is supplied as standard.

MATERIAL	CHANNEL EDGE PROFILE	GRATING LOAD CLASS	FLOOR DRAIN	OUTLET PIPE DIRECTION
select one X	select one X	select one X	select one X	select one X
<input type="checkbox"/> 304 <input type="checkbox"/> 316*	<input type="checkbox"/> <b>PLAIN FOLDED EDGE</b> Edge backfilling with concrete or resin must be done on site to protect against deformation <input type="checkbox"/> <b>SINGLE SOLID EDGE*</b> A solid stainless steel bar is welded underneath the top channel edge. <input type="checkbox"/> <b>DOUBLE SOLID EDGE*</b> Solid stainless steel bars are welded underneath both the top and bottom channel edge. Note: A single/ double solid edge provides optimal strength, preventing channel deformation under heavy loads. See <a href="#">GCT Channel Edge Profile.pdf</a>	<input type="checkbox"/> K3 (300KG) <input type="checkbox"/> L15 (1500KG)* <input type="checkbox"/> R50 (5000KG)* <input type="checkbox"/> M125 (12500KG)* <input type="checkbox"/> N250 (25000KG)* See <a href="#">GCT Load Classes.pdf</a>	<input type="checkbox"/> 200V <input type="checkbox"/> 200H* Note: The 200H floor drain adds 50mm to the total depth of the channel. See dimensions above.	<input type="checkbox"/> A* <input type="checkbox"/> B* <input type="checkbox"/> C* <input type="checkbox"/> D*  Note: The outlet direction only applies to the 200H floor drain.

Qty:	Name:	Signature:	Date:	Company:	PO no:
------	-------	------------	-------	----------	--------