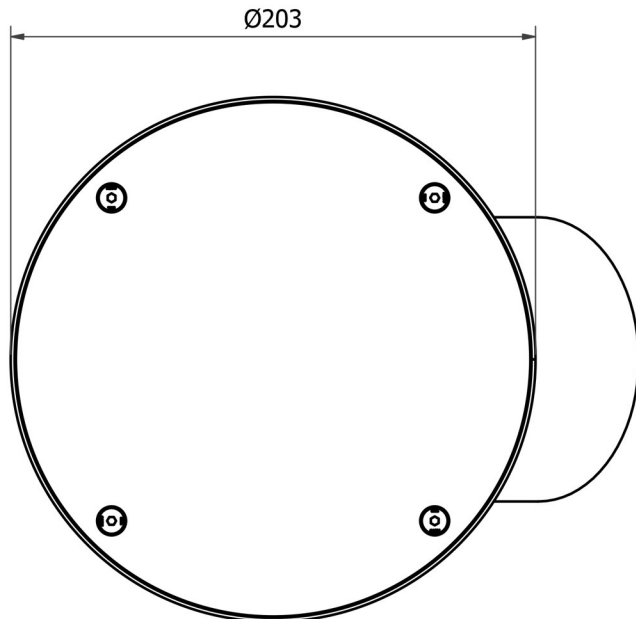


**GCT 45RF
RODDING EYE FITTING
SKU:151-001-A000**

Stainless steel rodding eye fitting for use at shopping centres, supermarkets, commercial kitchens, public walkways, etc. For applications with tiled, concrete or resin floors.

Specification

Standard (RSA): SANS 51253-1
 Standard (EN): EN 1253-1
 Floor: Tiles, concrete, resin
 Material (EN): 1.4301 (304) or 1.4404 (316)
 Surface finish: Pickled and passivated, polished
 Cover plate thickness (mm): 3
 Cover recess: No
 Cover recess depth (mm): NA
 Load class: 300KG (K3)
 Bolting flange type: Internal
 Bolting holes diameter (mm): 14.5
 Number of screws: 4
 Gasket: Yes
 Gasket material: SBR
 Minimum height (mm): 152
 Overall dimensions (mm): 203 l X 203 w X 152 h
 Weight (kg): 2.2



Order Sheet:

Please mark option/s in each box with an X. * (asterisk) indicates special order. If no options are selected the product is supplied as standard.

MATERIAL	COVER TYPE
select one X	select one X
<input type="checkbox"/> 304 <input type="checkbox"/> 316*	NOT APPLICABLE

Qty:	Name:	Signature:	Date:	Company:	PO no:
------	-------	------------	-------	----------	--------