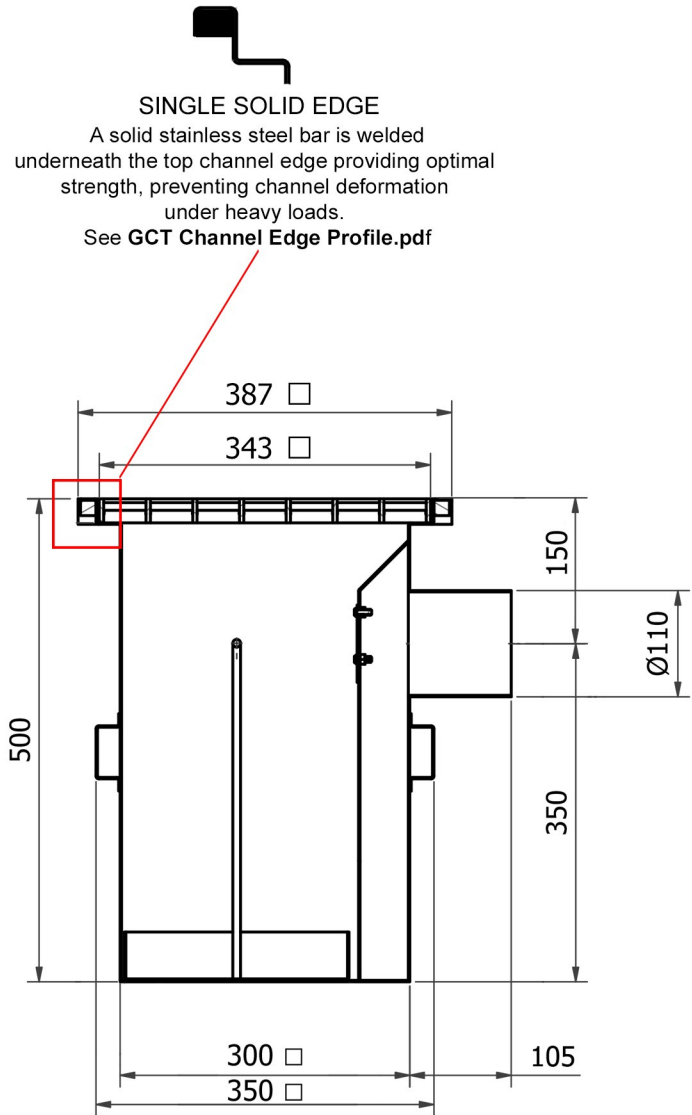


GCT-IND 300ST INLET SUMP SKU: 070-001-A000

Stainless steel inlet sump (catch basin or sand trap) for parts wash-down areas, vehicle wash-bays, surface runoff, substations, etc. Designed for installation upstream of sludge traps and separators to remove heavy sediment, trash, plastics, and debris.

Specification

Standard (RSA): No current standard
 Standard (EN): No current standard
 Material (EN): 1.4301 (304) or 1.4404 (316)
 Tank wall thickness (mm): 1.5
 Surface finish: Pickled and passivated, polished
 Flow rate (l/s): Varies by pressure head
 Sediment tray: Yes
 Total static water volume (l): ≈ 26
 Grating load class EN124: 1500KG (A15)
 Outlet diameter (mm): 110
 Overall dimensions (mm): 430 l X 387 w X 500 h
 Height from bottom to outlet centre (mm): 350
 Weight (kg): 21.5



Order Sheet:

Please mark option/s in each box with an X. * (asterisk) indicates special order. If no options are selected the product is supplied as standard.

MATERIAL	
select one X	
<input type="checkbox"/>	304
<input type="checkbox"/>	316*

Qty:	Name:	Signature:	Date:	Company:	PO no:
------	-------	------------	-------	----------	--------