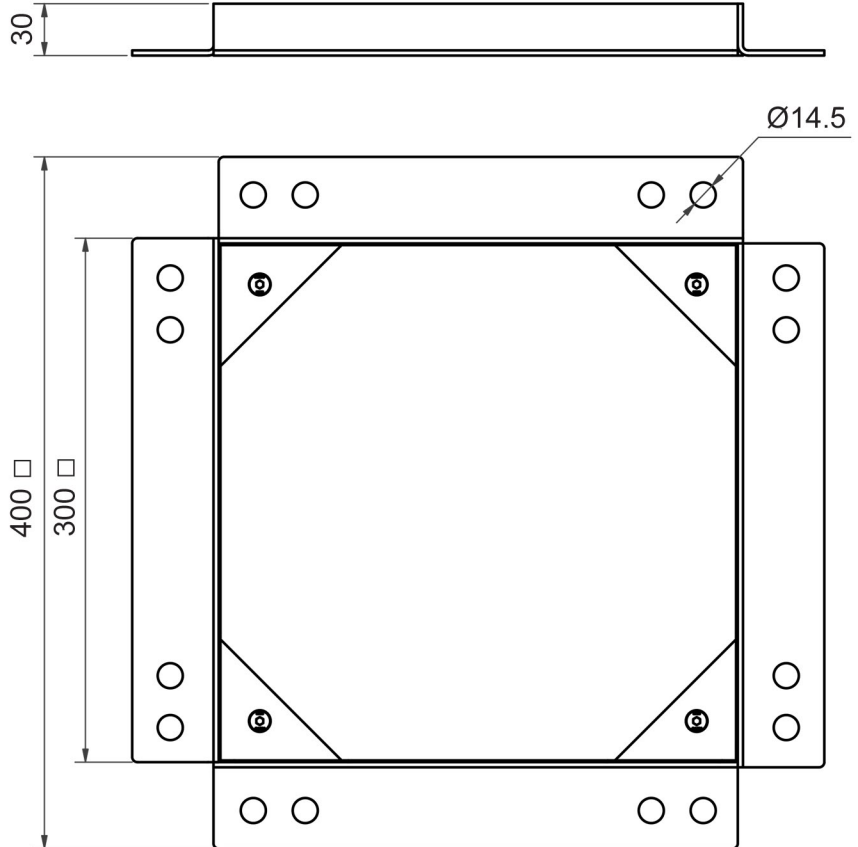
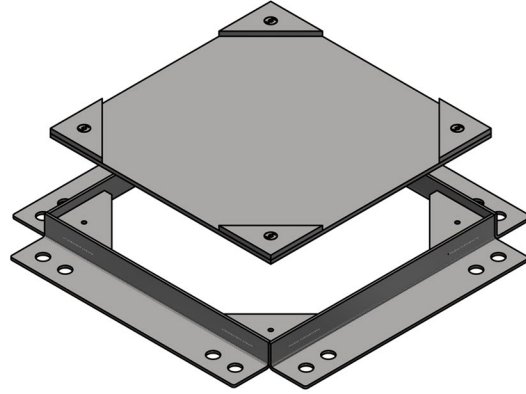


GCT 300REV
RODDING EYE COVER & FRAME
SKU:180-001-A000

Stainless steel recessed cover and frame for rodding eye or pipe concealment in shopping centres, supermarkets, commercial kitchens, public walkways, etc. For applications with vinyl floors, the recessed cover accepts vinyl sheet insert.



Specification

- Standard (RSA): SANS 51253-1
- Standard (EN): EN 1253-1
- Floor: Vinyl
- Material (EN): 1.4301 (304) or 1.4404 (316)
- Surface finish: Pickled and passivated, polished
- Cover plate thickness (mm): 4.5
- Cover recess: Yes
- Cover recess depth (mm): 6
- Load class: 300KG (K3)
- Bolting flange type: External
- Bolting holes diametre (mm): 14.5
- Number of screws: 4
- Gasket: No
- Gasket material: NA
- Minimum height (mm): 30
- Overall dimensions (mm): 400 l X 400 w X 50 h
- Weight (kg): 6.3

Order Sheet:

Please mark option/s in each box with an X. * (asterisk) indicates special order. If no options are selected the product is supplied as standard.

MATERIAL	COVER TYPE
select one X	select one X
<input type="checkbox"/> 304 <input type="checkbox"/> 316*	NOT APPLICABLE

Qty:	Name:	Signature:	Date:	Company:	PO no:
------	-------	------------	-------	----------	--------