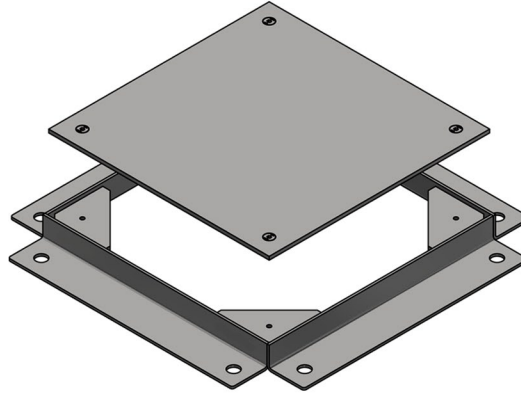


GCT 300RE
RODDING EYE COVER & FRAME
SKU:029-001-A000

Stainless steel flat cover and frame for rodding eye or pipe concealment in shopping centres, supermarkets, commercial kitchens, public walkways, etc. For applications with tiled floors.



Specification

Standard (RSA): SANS 51253-1

Standard (EN): EN 1253-1

Floor: Tiles

Material (EN): 1.4301 (304) or 1.4404 (316)

Surface finish: Pickled and passivated, polished

Cover plate thickness (mm): 4.5

Cover recess: No

Cover recess depth (mm): NA

Load class: 300KG (K3)

Bolting flange type: External

Bolting holes diametre (mm): 14.5

Number of screws: 4

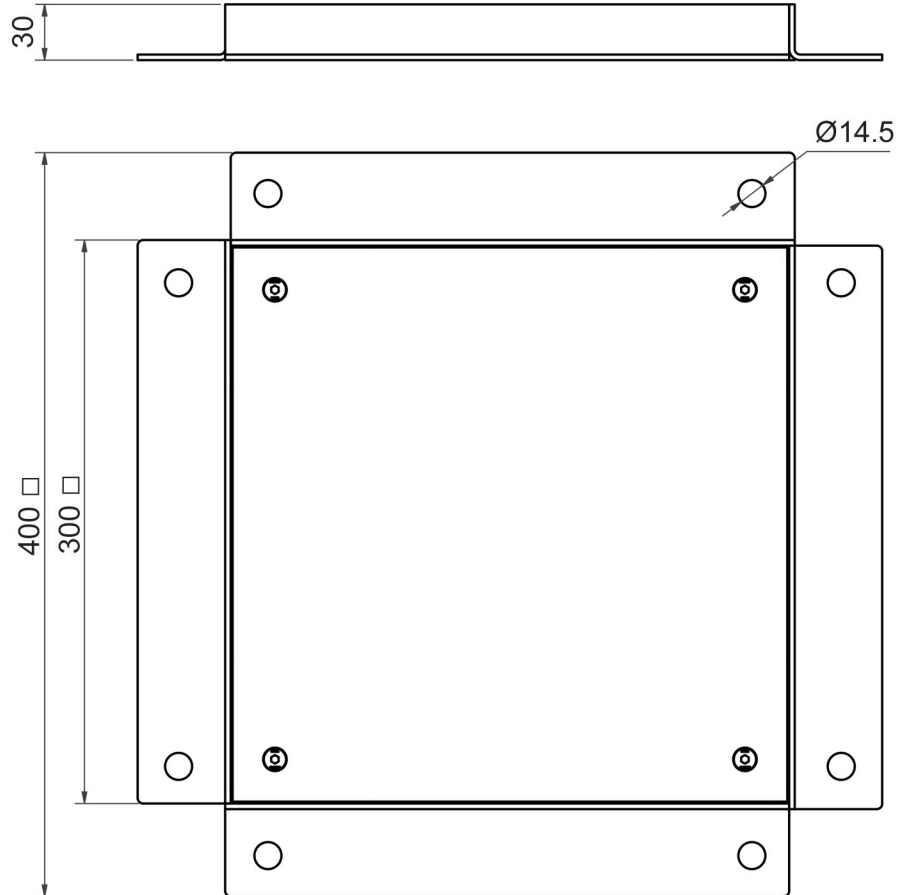
Gasket: No

Gasket material: NA

Minimum height (mm): 30

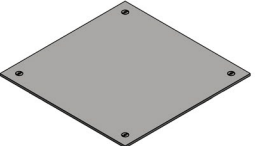
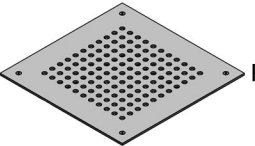
Overall dimensions (mm): 400 l X 400 w X 30 h

Weight (kg): 5.9



Order Sheet:

Please mark option/s in each box with an X. * (asterisk) indicates special order. If no options are selected the product is supplied as standard.

MATERIAL	COVER TYPE
select one X	select one X
<input type="checkbox"/> 304 <input type="checkbox"/> 316*	<input type="checkbox"/>  SOLID <input type="checkbox"/>  PERFORATED*
<p>Note: Alternative to a solid cover, a perforated cover is manufactured with 10mm holes for surface water drainage applications.</p>	

Qty:	Name:	Signature:	Date:	Company:	PO no:
------	-------	------------	-------	----------	--------