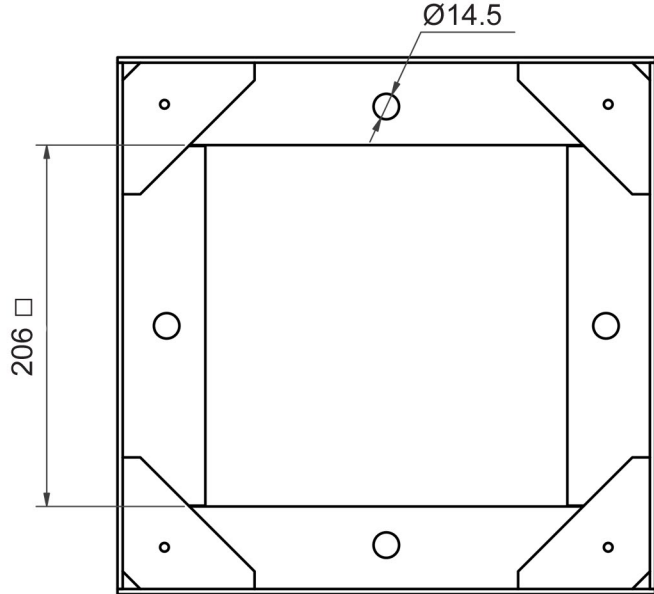
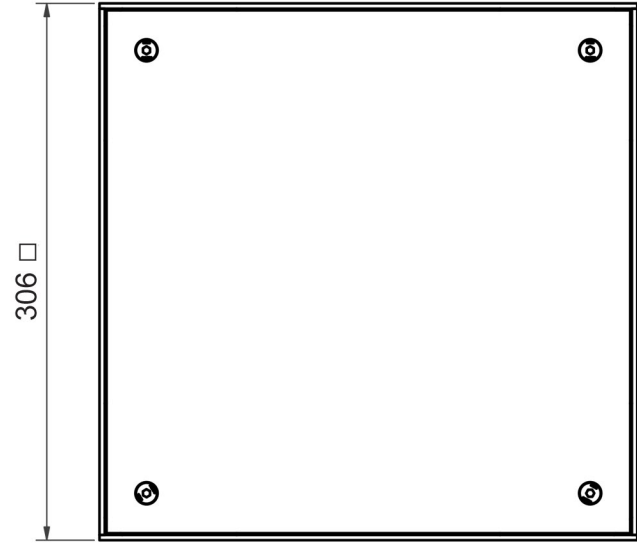


**GCT 300IRE
RODDING EYE COVER & FRAME
SKU:167-001-A000**

Stainless steel flat cover and frame for rodding eye or pipe concealment in shopping centres, supermarkets, commercial kitchens, public walkways, etc. For applications with tiled, concrete or resin floors.

Specification

Standard (RSA): SANS 51253-1
Standard (EN): EN 1253-1
Floor: Tiles, concrete, resin
Material (EN): 1.4301 (304) or 1.4404 (316)
Surface finish: Pickled and passivated, polished
Cover plate thickness (mm): 4.5
Cover recess: No
Cover recess depth (mm): NA
Load class: 300KG (K3)
Bolting flange type: Internal
Bolting holes diametre (mm): 14.5
Number of screws: 4
Gasket: No
Gasket material: NA
Minimum height (mm): 30
Overall dimensions (mm): 306 l X 306 w X 30 h
Weight (kg): 5.7



Order Sheet:

Please mark option/s in each box with an X. * (asterisk) indicates special order. If no options are selected the product is supplied as standard.

MATERIAL	COVER TYPE
select one X	select one X
<input type="checkbox"/> 304 <input type="checkbox"/> 316*	NOT APPLICABLE

Qty:	Name:	Signature:	Date:	Company:	PO no:
------	-------	------------	-------	----------	--------