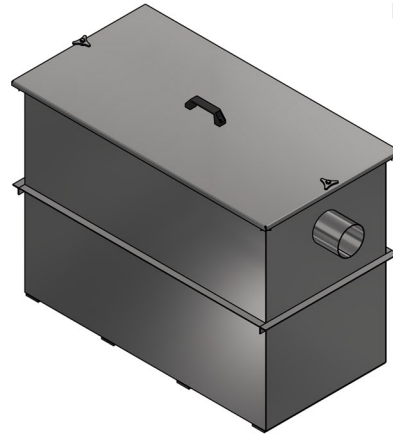


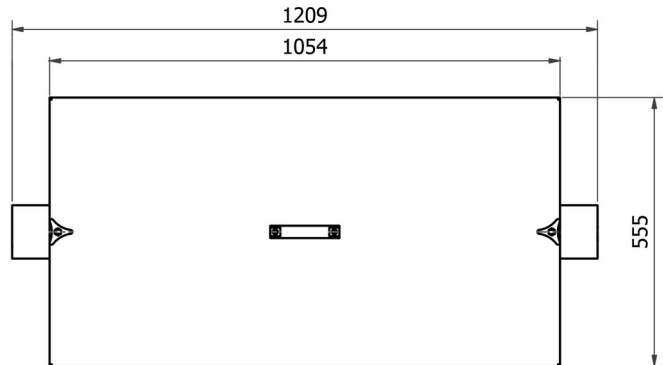
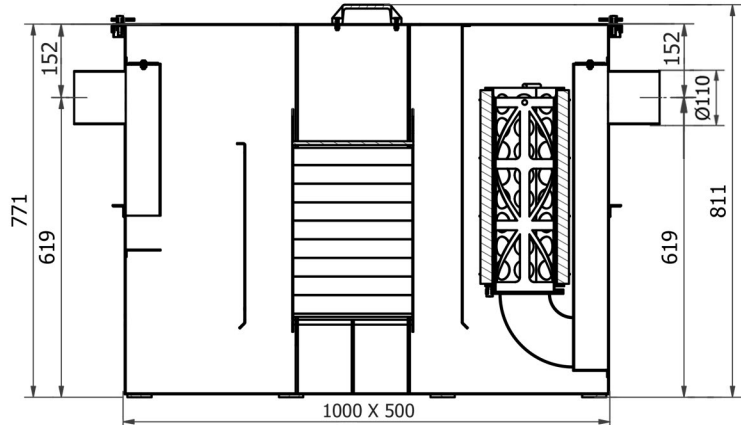
## GCT-2G CFI500/UG OIL-WATER SEPARATOR SKU:186-001-A000



Stainless steel two-stage oil-water separator (light liquid separator) for underground or free-standing installation, for parts wash-down areas, vehicle wash-bays, surface runoff, substations, etc. Designed to treat wastewater contaminated with non-emulsified oils and minor amounts of dirt. Adequately sized sludge traps, as per SANS 50858-2, should be installed upstream of separators for wastewater containing high concentrations of dirt.

### Specification

Standard (RSA): EN 50858-1  
 Standard (EN): EN 858-1  
 Standard (US): API 421(Design)  
 Material (EN): 1.4301 (304) or 1.4404 (316)  
 Tank wall thickness (mm): 2  
 Surface finish: Pickled and passivated, polished  
 Separator Class: Class 1, Coalescing separator  
 SANS 50858-1 Flow rate (l/s): 3 (NS 3)  
 API 421 Flow rate (gpm): 2.2  
 Max oil capacity (l): 45 (NS X 15)  
 Max sludge volume (l): ≈ 50  
 Total static water volume (l): ≈ 275  
 Auto-closure device: Optional  
 No. of lids: 1  
 Lid seal: No  
 Lid load class: None (non-trafficable lid)  
 Separation technology (Primary): Parallell plates  
 Separation technology (Secondary): Oleophilic media  
 Plate pack dimensions (mm): 250 l X 490 w X 460 h  
 Media cartridge dimensions (mm): 183 l X 183 w X 418 h  
 Inlet/ Outlet diametre (mm): 110  
 Overall dimensions (mm): 1209 l X 555 w X 811 h  
 Height from bottom to inlet centre (mm): 619  
 Height from bottom to outlet centre (mm): 619  
 Weight (kg): 104.0



### Order Sheet:

Please mark option/s in each box with an X. \* (asterisk) indicates special order. If no options are selected the product is supplied as standard.

MATERIAL	AUTO-CLOSURE DEVICE
select one <b>X</b>	select one <b>X</b>
<input type="checkbox"/> 304 <input type="checkbox"/> 316*	<input type="checkbox"/> NO <input type="checkbox"/> YES*
<p>Note: When the separator reaches its maximum oil capacity the auto closure device, which operates with a floating valve, shuts the outlet to prevent oil from discharging into the sewer or stormwater system. However, without an aftermarket alarm system capable of alerting operators that the separator is full and closed, incoming rainwater or wastewater has nowhere to go, potentially flooding the site or causing severe localised pollution.</p>	

Qty:	Name:	Signature:	Date:	Company:	PO no:
------	-------	------------	-------	----------	--------