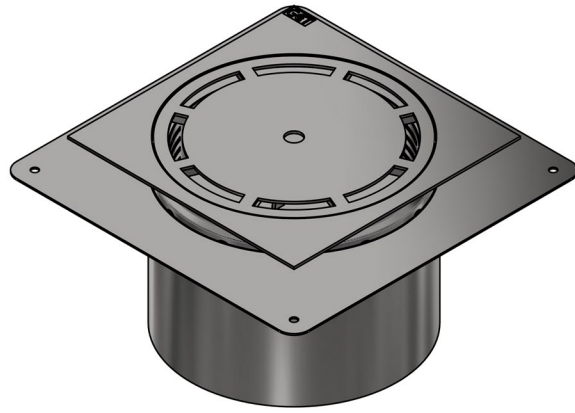


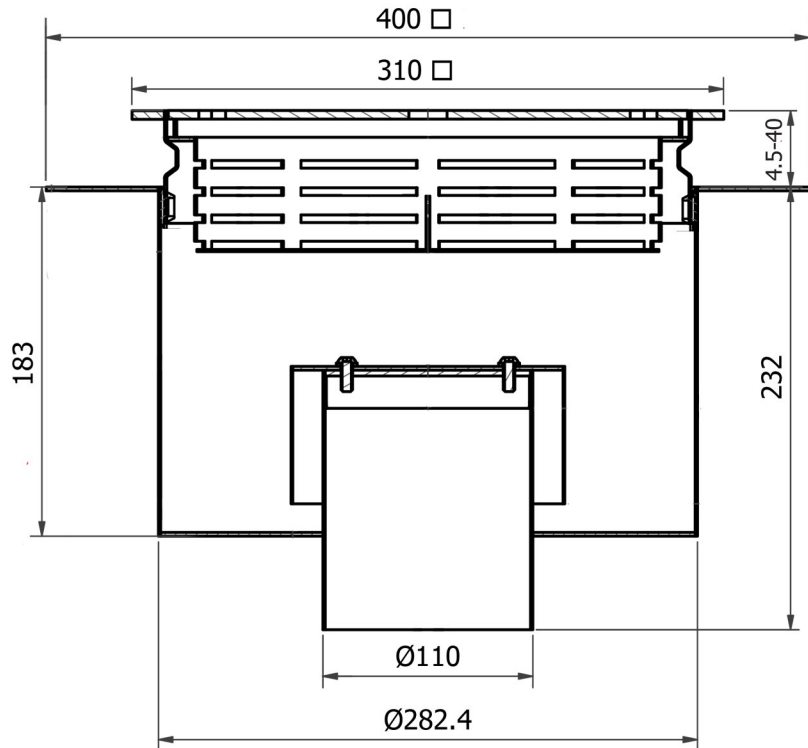
## GCT 280VA FLOOR DRAIN SKU:161-001-A000

Adjustable (telescopic) stainless steel floor drain (gully) for tiled flooring in commercial kitchens, restaurants, supermarkets and food processing areas, etc. For applications with liquid membrane waterproofing systems.



### Specification

Standard (RSA): SANS 51253-1  
Standard (EN): EN 1253-1  
Floor: Tiles  
Material (EN): 1.4301 (304) or 1.4404 (316)  
Max flow (l/s): 4.5  
Odour trap: Yes, integral, tamper-proof  
Water seal height (mm): 50  
Solids basket: Yes  
Solids basket volume (l): 2.76  
Surface finish: Pickled and passivated, polished  
Membrane type: Liquid membrane  
Adjustable: Yes  
Height adjustment (mm): 4.5 to 40  
Load class: 300KG (K3)  
Number of screws: 2 (odour trap)  
Gasket: No  
Gasket material: NA  
Number of inlets: 0  
Inlet/s diameter (mm): NA  
Outlet direction: Vertical  
Outlet diameter (mm): 110  
Minimum height (mm): 236.5  
Maximum height (mm): 272  
Body diameter (mm): 282  
Overall dimensions (mm): 400 l X 400 w X 236 h  
Weight (kg): 9.5



### Order Sheet:

Please mark option/s in each box with an X. \* (asterisk) indicates special order. If no options are selected the product is supplied as standard.

MATERIAL	LID TYPE	FLANGE SHAPE	FLANGE/ LID THICKNESS	SIDE INLET/S POSTION/S
select one <b>X</b>	select one <b>X</b>	select one <b>X</b>	select one <b>X</b>	select one to four <b>X</b>
<input type="checkbox"/> 304 <input type="checkbox"/> 316*	NOT APPLICABLE	NOT APPLICABLE	NOT APPLICABLE	NOT APPLICABLE

Qty:	Name:	Signature:	Date:	Company:	PO no:
------	-------	------------	-------	----------	--------