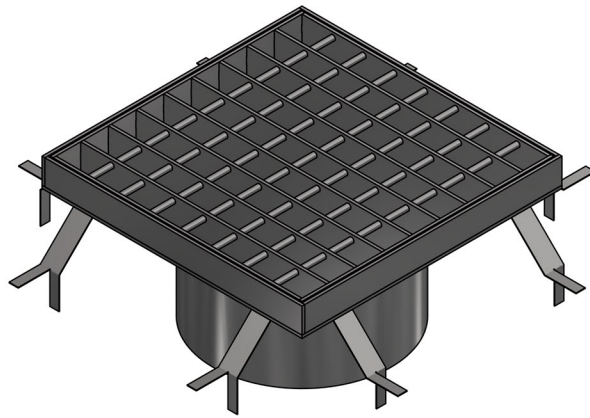


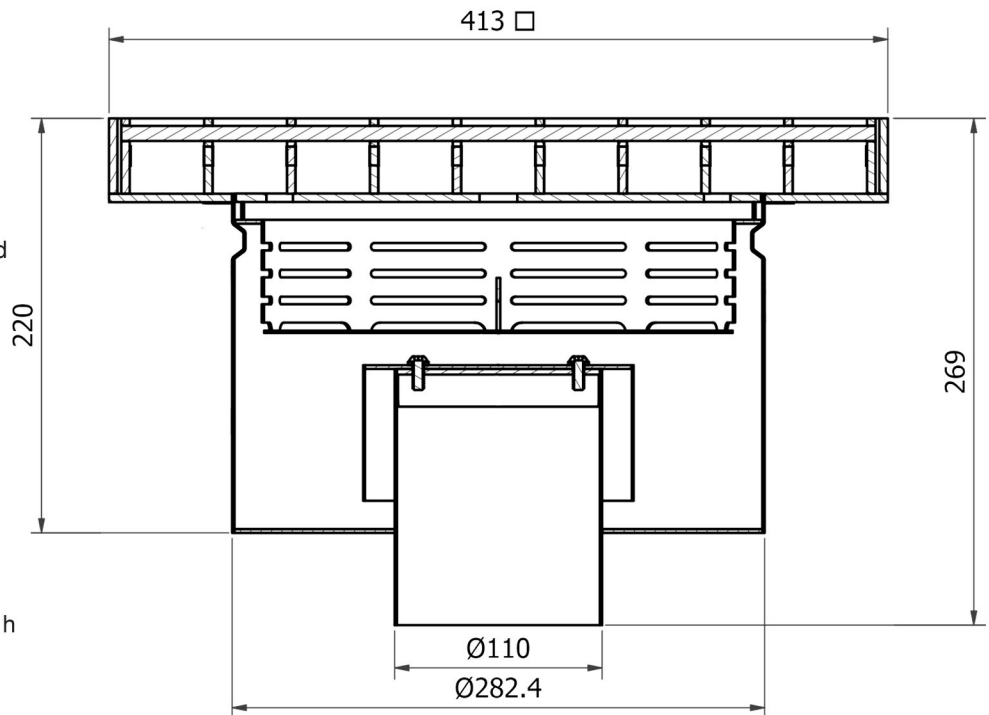
GCT 280V-HDG FLOOR DRAIN SKU:125-001-A000-HD-GRATED

Fixed height stainless steel floor drain (gully) for tiled, concrete and resin flooring in commercial kitchens, restaurants, supermarkets and food processing areas, etc. For applications where no waterproofing is used or waterproofing is independent of the floor drain body.



Specification

Standard (RSA): SANS 51253-1
 Standard (EN): EN 1253-1
 Floor: Tiles, resin, concrete
 Material (EN): 1.4301 (304) or 1.4404 (316)
 Max flow (l/s): 4.5
 Odour trap: Yes, integral, tamper-proof
 Water seal height (mm): 50
 Solids basket: Yes
 Solids basket volume (l): 2.91
 Surface finish: Pickled and passivated, polished
 Membrane type: No membrane
 Adjustable: No
 Load class: 5000KG (R50)
 Number of screws: 2 (odour trap)
 Gasket: No
 Gasket material: NA
 Number of inlets: 0
 Inlet/s diameter (mm): NA
 Outlet direction: Vertical
 Outlet diameter (mm): 110
 Minimum height (mm): 269
 Body diameter (mm): 282
 Overall dimensions (mm): 413 l X 413 w X 269 h
 Weight (kg): 20.5



Order Sheet:

Please mark option/s in each box with an X. * (asterisk) indicates special order. If no options are selected the product is supplied as standard.

MATERIAL	LID TYPE	FLANGE SHAPE	FLANGE/ LID THICKNESS	SIDE INLET/S POSTION/S
select one X	select one X	select one X	select one X	select one to four X
<input type="checkbox"/> 304 <input type="checkbox"/> 316*	NOT APPLICABLE	NOT APPLICABLE	NOT APPLICABLE	NOT APPLICABLE

Qty:	Name:	Signature:	Date:	Company:	PO no:
------	-------	------------	-------	----------	--------