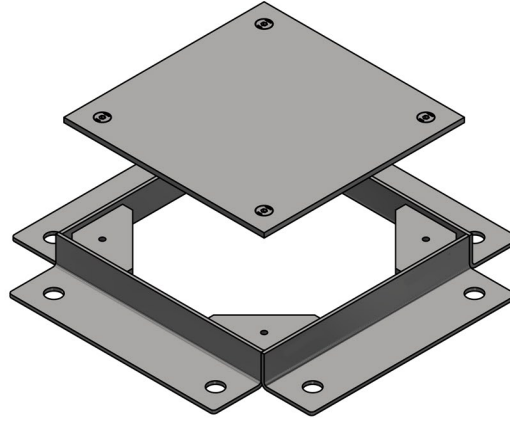


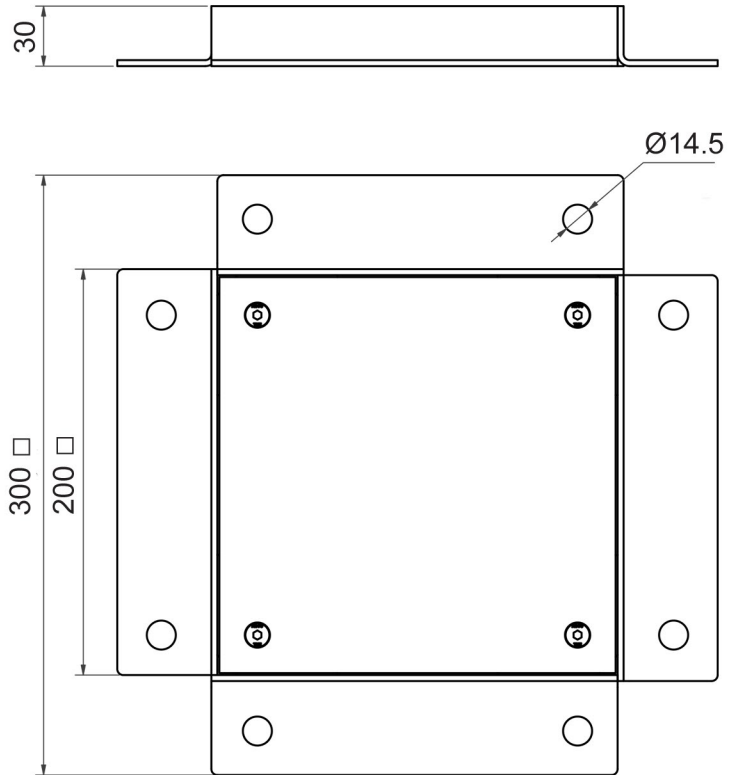
GCT 200RE
RODDING EYE COVER & FRAME
SKU:028-001-A000

Stainless steel flat cover and frame for rodding eye or pipe concealment in shopping centres, supermarkets, commercial kitchens, public walkways, etc. For applications with tiled floors.




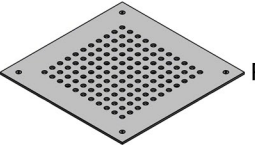
Specification

Standard (RSA): SANS 51253-1
Standard (EN): EN 1253-1
Floor: Tiles
Material (EN): 1.4301 (304) or 1.4404 (316)
Surface finish: Pickled and passivated, polished
Cover plate thickness (mm): 4.5
Cover recess: No
Cover recess depth (mm): NA
Load class: 300KG (K3)
Bolting flange type: External
Bolting holes diameter (mm): 14.5
Number of screws: 4
Gasket: No
Gasket material: NA
Minimum height (mm): 30
Overall dimensions (mm): 300 l X 300 w X 30 h
Weight (kg): 3.2



Order Sheet:

Please mark option/s in each box with an X. * (asterisk) indicates special order. If no options are selected the product is supplied as standard.

MATERIAL	COVER TYPE
select one X	select one X
<input type="checkbox"/> 304 <input type="checkbox"/> 316*	<input type="checkbox"/>  SOLID <input type="checkbox"/>  PERFORATED*
<p>Note: Alternative to a solid cover, a perforated cover is manufactured with 10mm holes for surface water drainage applications.</p>	

Qty:	Name:	Signature:	Date:	Company:	PO no:
------	-------	------------	-------	----------	--------