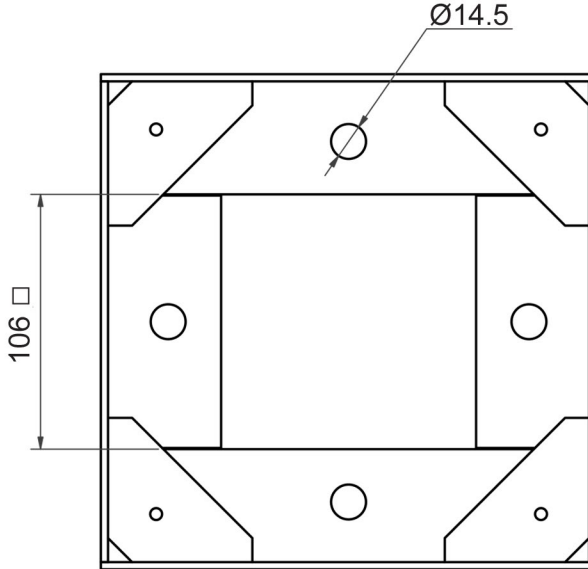
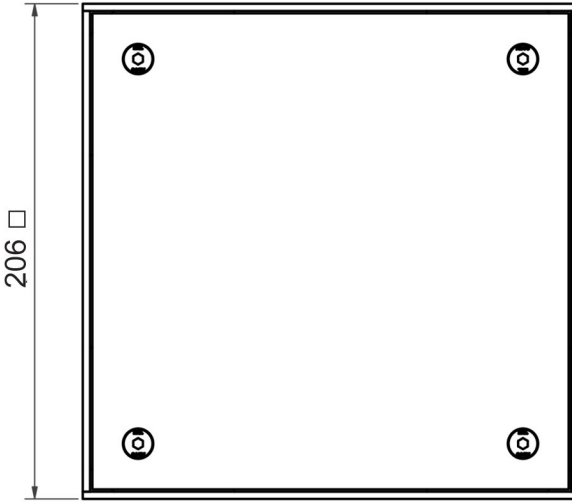


**GCT 200IRE
RODDING EYE COVER & FRAME
SKU:147-001-A000**

Stainless steel flat cover and frame for rodding eye or pipe concealment in shopping centres, supermarkets, commercial kitchens, public walkways, etc. For applications with tiled, concrete or resin floors.

Specification

- Standard (RSA): SANS 51253-1
- Standard (EN): EN 1253-1
- Floor: Tiles, concrete, resin
- Material (EN): 1.4301 (304) or 1.4404 (316)
- Surface finish: Pickled and passivated, polished
- Cover plate thickness (mm): 4.5
- Cover recess: No
- Cover recess depth (mm): NA
- Load class: 300KG (K3)
- Bolting flange type: Internal
- Bolting holes diametre (mm): 14.5
- Number of screws: 4
- Gasket: No
- Gasket material: NA
- Minimum height (mm): 30
- Overall dimensions (mm): 206 l X 206 w X 30 h
- Weight (kg): 3.0



Order Sheet:

Please mark option/s in each box with an X. * (asterisk) indicates special order. If no options are selected the product is supplied as standard.

MATERIAL	COVER TYPE
select one X	select one X
<input type="checkbox"/> 304 <input type="checkbox"/> 316*	NOT APPLICABLE

Qty:	Name:	Signature:	Date:	Company:	PO no:
------	-------	------------	-------	----------	--------