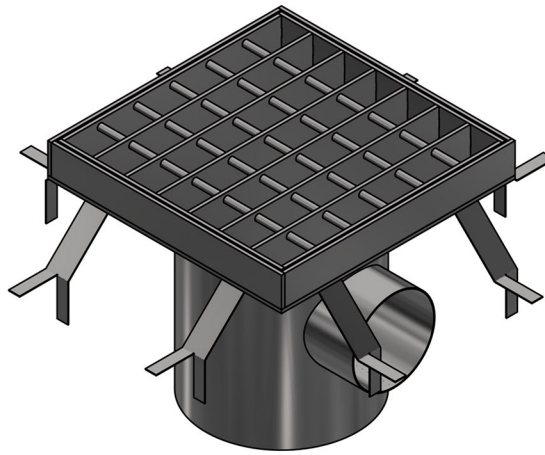


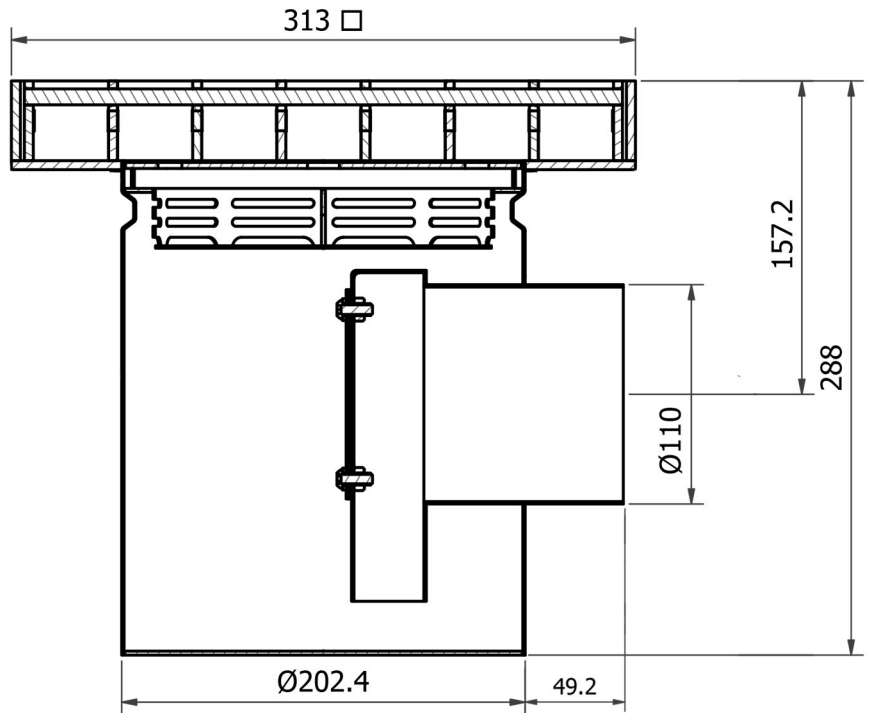
GCT 200H-HDG FLOOR DRAIN SKU:118-001-A000-HD-GRATED

Fixed height stainless steel floor drain (gully) for tiled, concrete and resin flooring in commercial kitchens, restaurants, supermarkets and food processing areas, etc. For applications where no waterproofing is used or waterproofing is independent of the floor drain body.



Specification

Standard (RSA): SANS 51253-1
Standard (EN): EN 1253-1
Floor: Tiles, resin, concrete
Material (EN): 1.4301 (304) or 1.4404 (316)
Max flow (l/s): 2.85
Odour trap: Yes, integral, tamper-proof
Water seal height (mm): 50
Solids basket: Yes
Solids basket volume (l): 0.67
Surface finish: Pickled and passivated, polished
Membrane type: No membrane
Adjustable: No
Load class: 5000KG (R50)
Number of screws: 2 (odour trap)
Gasket: Yes
Gasket material: NBR
Number of inlets: 0
Inlet/s diameter (mm): NA
Outlet direction: Horizontal
Outlet diameter (mm): 110
Minimum height (mm): 288
Body diameter (mm): 202
Overall dimensions (mm): 313 l X 313 w X 288 h
Weight (kg): 13.3



Order Sheet:

Please mark option/s in each box with an X. * (asterisk) indicates special order. If no options are selected the product is supplied as standard.

MATERIAL	LID TYPE	FLANGE SHAPE	FLANGE/ LID THICKNESS	SIDE INLET/S POSTION/S
select one X	select one X	select one X	select one X	select one to four X
<input type="checkbox"/> 304 <input type="checkbox"/> 316*	NOT APPLICABLE	NOT APPLICABLE	NOT APPLICABLE	NOT APPLICABLE

Qty:	Name:	Signature:	Date:	Company:	PO no:
------	-------	------------	-------	----------	--------