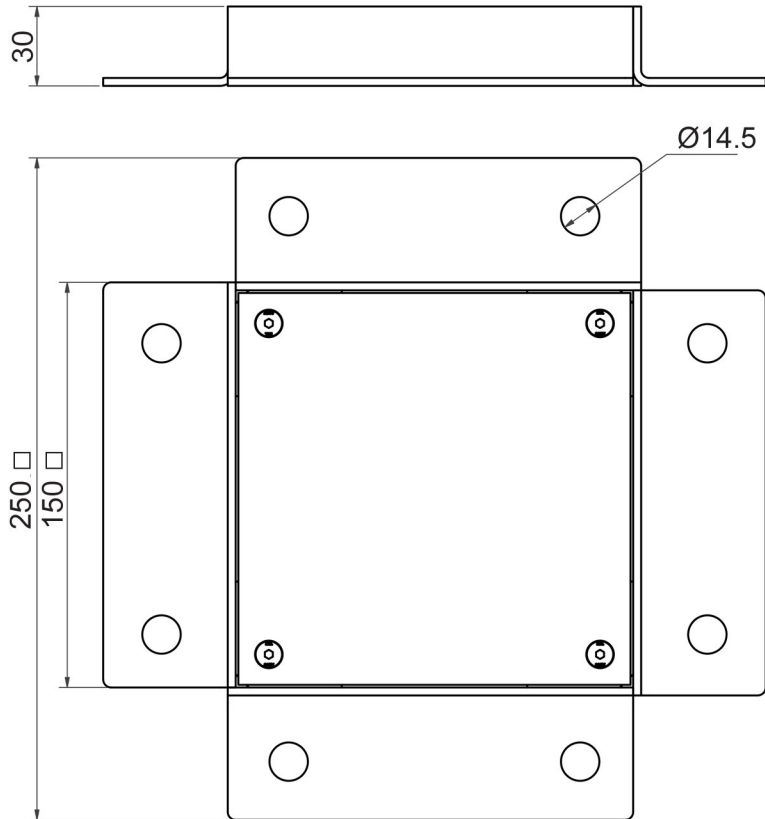


**GCT 150RE**  
**RODDING EYE COVER & FRAME**  
**SKU:027-001-A000**

Stainless steel flat cover and frame for rodding eye or pipe concealment in shopping centres, supermarkets, commercial kitchens, public walkways, etc. For applications with tiled floors.

**Specification**

- Standard (RSA): SANS 51253-1
- Standard (EN): EN 1253-1
- Floor: Tiles
- Material (EN): 1.4301 (304) or 1.4404 (316)
- Surface finish: Pickled and passivated, polished
- Cover plate thickness (mm): 3
- Cover recess: No
- Cover recess depth (mm): NA
- Load class: 300KG (K3)
- Bolting flange type: External
- Bolting holes diameter (mm): 14.5
- Number of screws: 4
- Gasket: No
- Gasket material: NA
- Minimum height (mm): 30
- Overall dimensions (mm): 250 l X 250 w X 30 h
- Weight (kg): 1.7



**Order Sheet:**

Please mark option/s in each box with an X. \* (asterisk) indicates special order. If no options are selected the product is supplied as standard.

MATERIAL	COVER TYPE
select one <b>X</b>	select one <b>X</b>
<input type="checkbox"/> 304  <input type="checkbox"/> 316*	NOT APPLICABLE

Qty:	Name:	Signature:	Date:	Company:	PO no:
------	-------	------------	-------	----------	--------