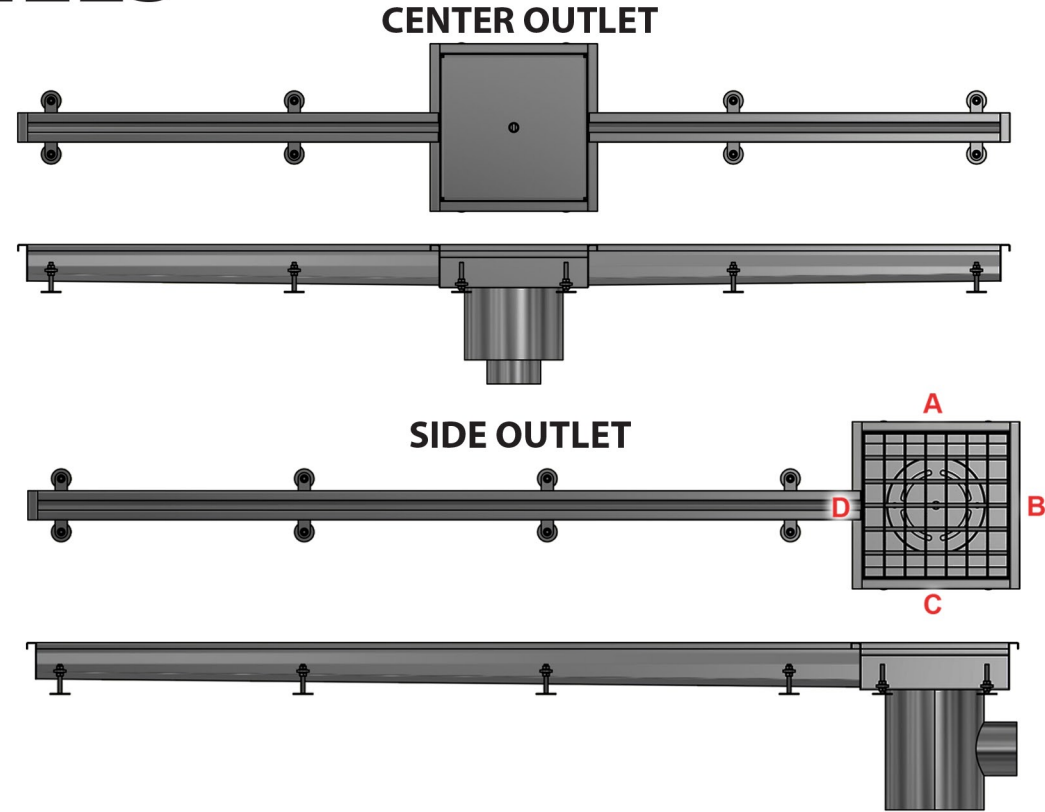
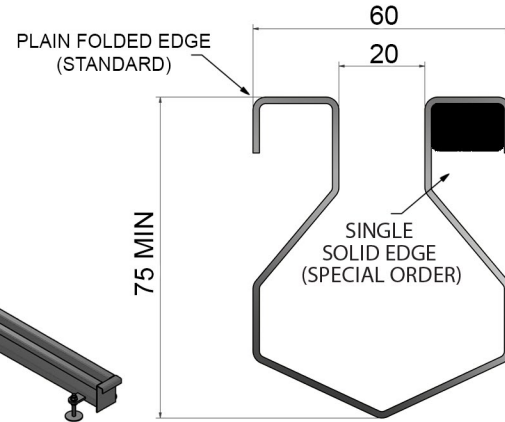
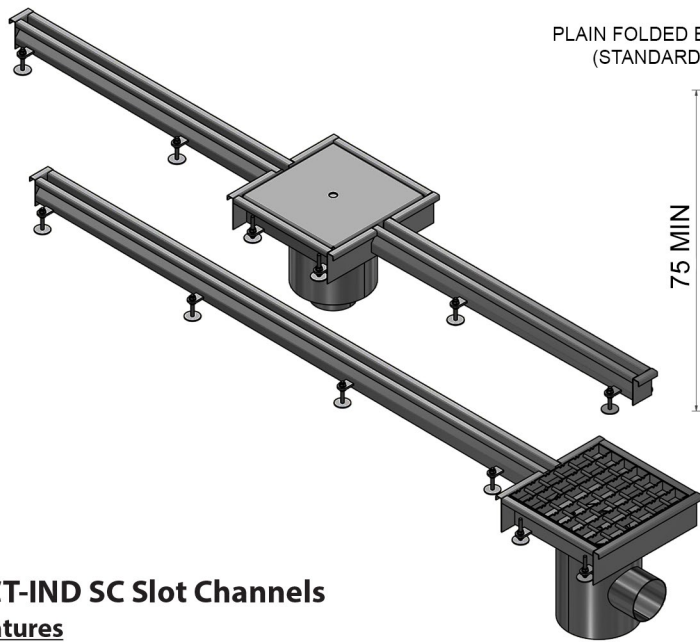


GCT-IND SC SLOT CHANNELS



GCT-IND SC Slot Channels

Features

- Manufactured from 304 stainless steel (316 on special order)
- Fitted with levelling bolts
- Grating or alternative solid cover available
- Manufactured with horizontal or vertical floor drain outlet

Standard GCT-IND SC Slot Channels are designed with the bottom slope of 1/100 (1% fall) and do not require a slope of the floor for draining. A Vee-shaped channel bottom provides higher drainage efficiency. GCT-IND SC Slot Channels are manufactured in one single section up to 6044mm in length.

Flow Rate: 8L/sec per metre (EN 1253-1)

Load Class: K3 (3kN) [Standard]

L15 [Special Order]

R50 [Special Order]

M125 [Special Order]

N250 [Special Order]

Standard Sizes and Outlet Positions:

- 1044mm CENTER or SIDE OUTLET
- 2044mm CENTER or SIDE OUTLET
- 3044mm CENTER or SIDE OUTLET
- 4044mm CENTER OUTLET ONLY
- 5044mm CENTER OUTLET ONLY
- 6044mm CENTER OUTLET ONLY

OUTLET OPTIONS

