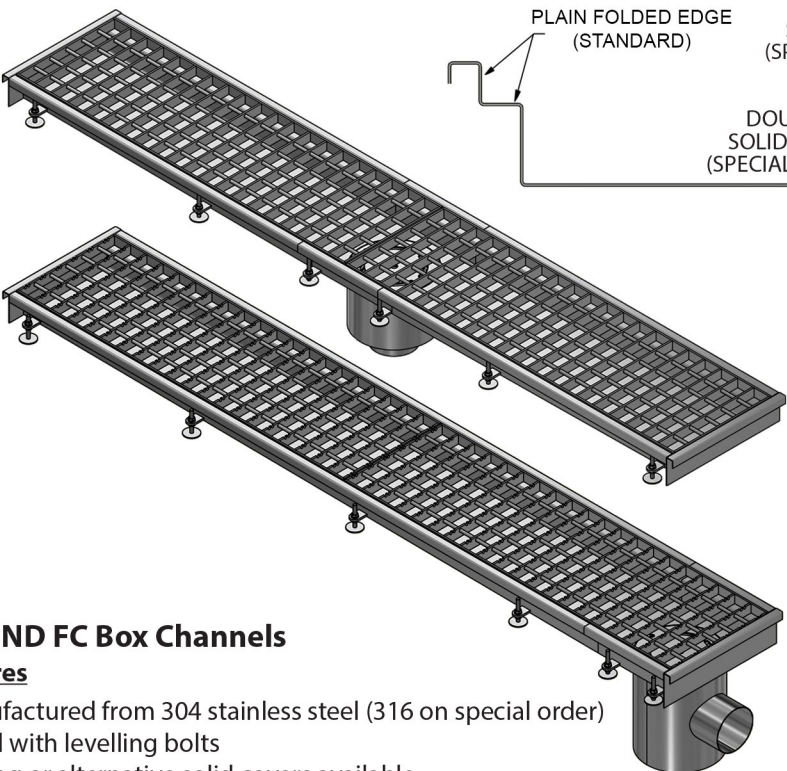
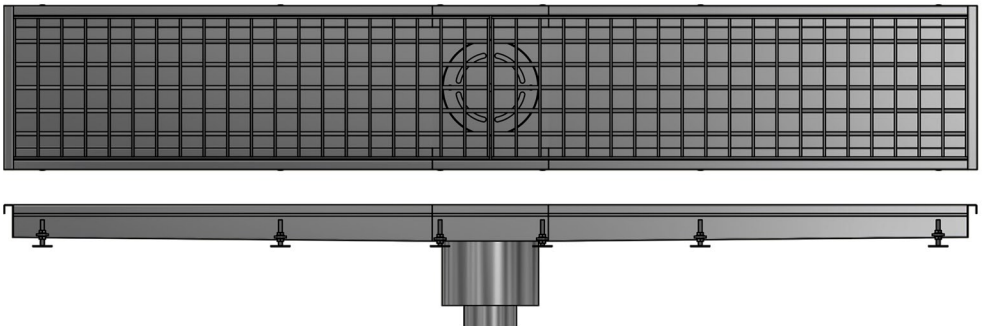


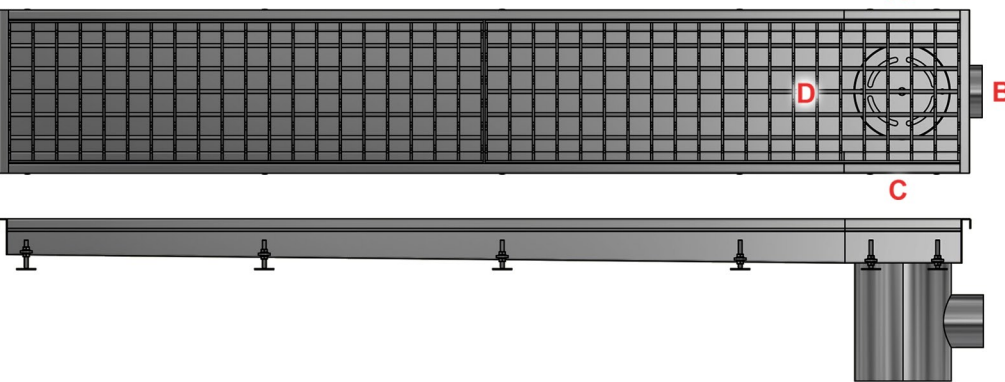
# GCT-IND FC BOX CHANNELS



## CENTER OUTLET



## SIDE OUTLET



### GCT-IND FC Box Channels

#### Features

- Manufactured from 304 stainless steel (316 on special order)
- Fitted with levelling bolts
- Grating or alternative solid covers available
- Manufactured with horizontal or vertical floor drain outlet

Standard GCT FC Box Channels are designed with the bottom slope of 1/100 (1% fall) and do not require a slope of the floor for draining. GCT-IND FC Box Channels are manufactured in one single section up to 6044mm in length.

- Flow Rate:** Varies by choice of grating  
**Load Class:** K3 (3kN) [Standard]  
 L15 [Special Order]  
 R50 [Special Order]  
 M125 [Special Order]  
 N250 [Special Order]

#### Standard Sizes and Outlet Positions:

- 1044mm CENTER or SIDE OUTLET
- 2044mm CENTER or SIDE OUTLET
- 3044mm CENTER or SIDE OUTLET
- 4044mm CENTER OUTLET ONLY
- 5044mm CENTER OUTLET ONLY
- 6044mm CENTER OUTLET ONLY

## OUTLET OPTIONS

