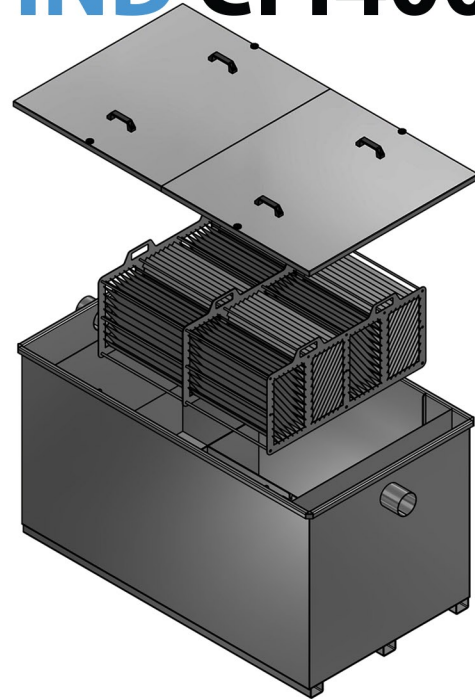


# GCT-IND CFI4000/UG



## GCT-IND CFI4000/UG Underground Oil-Water Separator Features

### Enhanced gravity separator for separation of all free/non-emulsified oils

- Advanced oil removal down to  $\approx 5 - 10$ PPM with secondary polisher @ rated flow rate **(Optional)**
- Oil removal down to  $\approx 10 - 20$ PPM @ rated flow rate
- Oil removal down to  $\approx 5 - 10$ PPM @ de-rated flow rate
- Manufactured from 304 stainless steel (316 on special order)
- Two (2) removable cross flow coalescer plate packs
- Two (2) removable top covers with polyamide handles
- Suitable for below ground installations
- SENS-OIL™ high oil level sensor and alarm **(Optional)**
- Auto-shut-off valve **(Optional)**
- Tank anchor lugs **(Optional)**
- Designed to separate oils with a density of  $0.91 \text{ g/cm}^3$
- Designed in accordance with API 421, Section 4

**Rated Flow Rate:** 4000L/hour (API 421 Standard)

**De-Rated Flow Rate:** 20L/sec (SANS 50858-1 & EN 858-1, Full retention, Class 1 Separator)

**Max Oil Capacity:**  $\approx 300$ L

**Net Weight:** 355KG

### General Applications:

Vehicle wash-bays, petro-chemical plants, refineries, substations & stormwater run-off treatment etc

**To be used in conjunction with the GCT-IND 300ST or 600ST sand trap**

