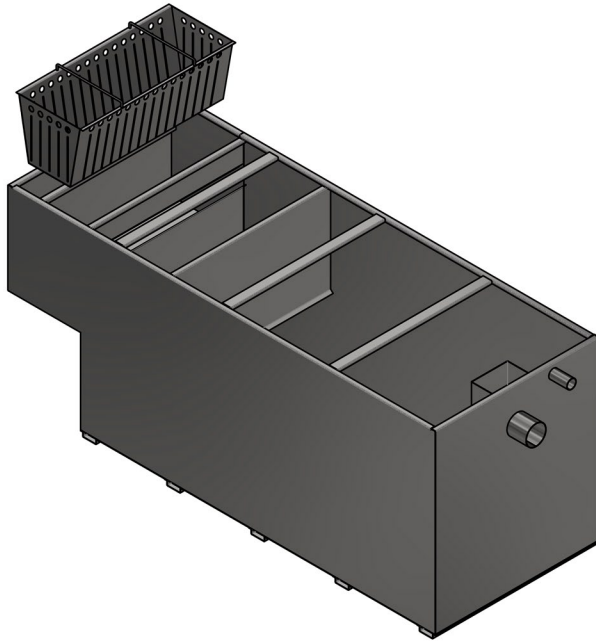


GCT-2G 7L/s/UG



GCT-2G 7L/s/UG Underground Grease (Fat) Trap

Features

- Designed to serve multiple fixtures with a total flow rate ≤ 7 litres/ sec
- Manufactured from 304 stainless steel (316 on special order)
- Smooth surfaces to prevent bacteria build up and promote ease of cleaning
- Separated sludge trap & grease trap
- One (1) slotted basket strainer for easy removal of solids
- Fully accessible outlet pipe for rodding
- Compatible with standard plumbing fittings
- Chamber vent pipe to prevent airlocking
- Suitable for below ground installations
- 2mm (14 gauge) tank
- SANS 10252-2 compliant

Flow Rate: 7L/sec

Max Grease Capacity: ≈ 280 KG

Basket Strainer Volume: ≈ 72 L

Net Weight: 183KG

General Applications:

Hotels, hospitals, food processing plants, prisons & large commercial kitchens etc

***NO LIDS* To be used in conjunction with a suitable manhole cover**

