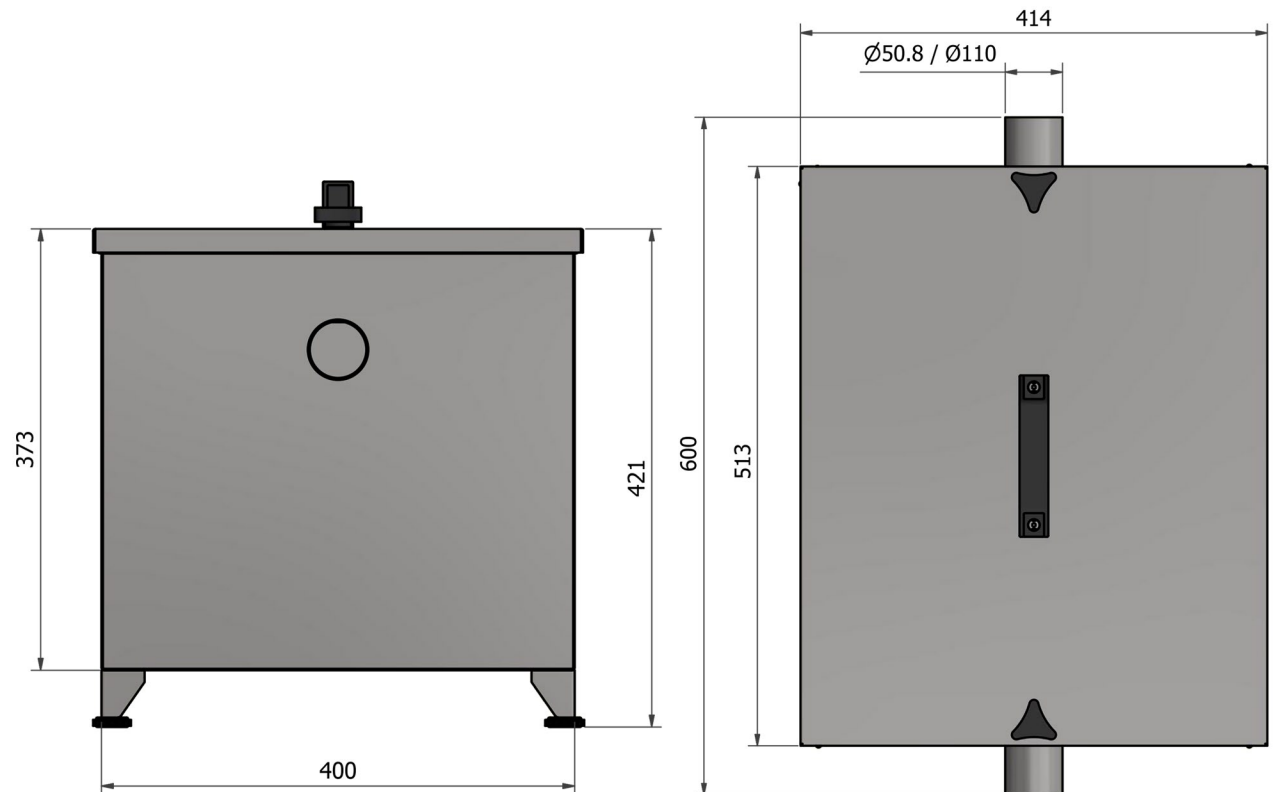
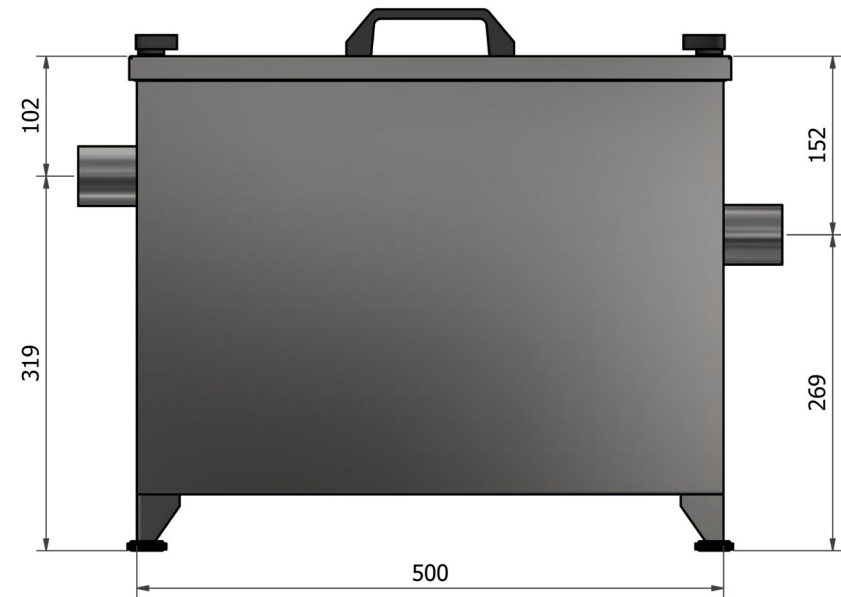
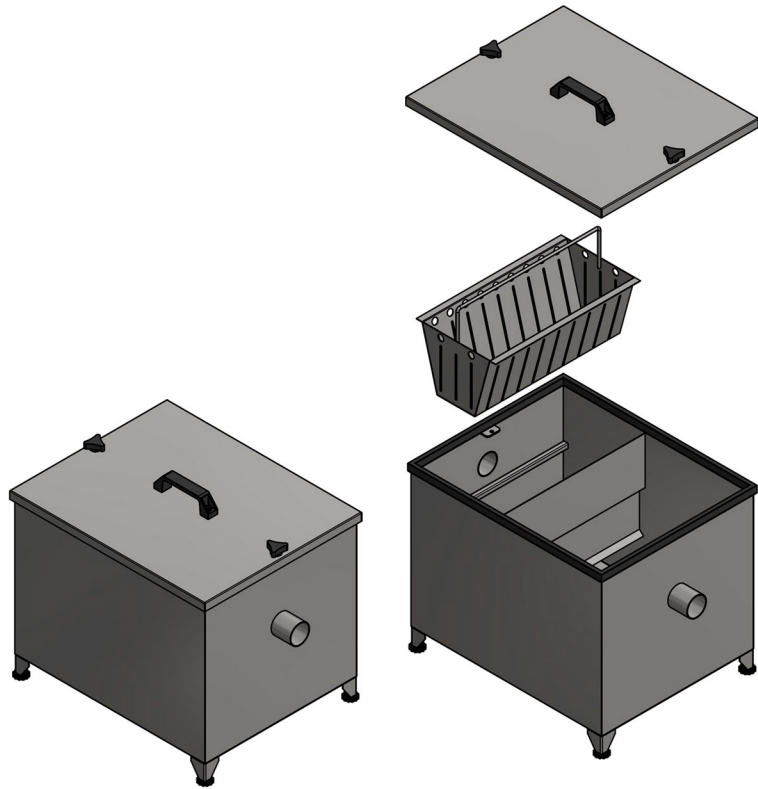


# GCT-2G 500



## GCT-2G 500 Grease (Fat) Trap

### Features

- Designed to serve a single fixture with a flow rate  $\leq 1.5$  litre/ sec
- Manufactured from 304 stainless steel (316 on special order)
- One (1) slotted basket strainer for easy removal of solids
- Compatible with standard plumbing fittings
- One (1) odour sealing lid with polyamide handles
- Designed in accordance with SANS 10252-2
- Adjustable legs

**Flow Rate:** 1.5L/sec

**Max Grease Capacity:**  $\approx 10$ KG

**Basket Strainer Volume:**  $\approx 7.5$ L

**Net Weight:** 15KG

### General Applications:

Fast food outlets, restaurants & small commercial kitchens etc  
**For installation under or beside the sink**