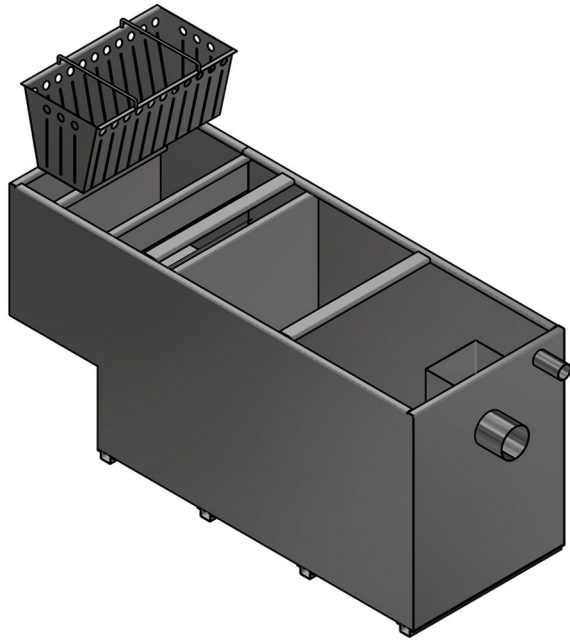


# GCT-2G 2L/s/UG



## GCT-2G 2L/s/UG Underground Grease (Fat) Trap

### Features

- Designed to serve multiple fixtures with a total flow rate  $\leq 2$  litres/ sec
- Manufactured from 304 stainless steel (316 on special order)
- Smooth surfaces to prevent bacteria build up and promote ease of cleaning
- Separated sludge trap & grease trap
- One (1) slotted basket strainer for easy removal of solids
- Fully accessible outlet pipe for rodding
- Compatible with standard plumbing fittings
- Chamber vent pipe to prevent airlocking
- Suitable for below ground installations
- 2mm (14 gauge) tank
- SANS 10252-2 compliant

**Flow Rate:** 2L/sec

**Max Grease Capacity:**  $\approx 80$ KG

**Basket Strainer Volume:**  $\approx 32$ L

**Net Weight:** 93KG

### General Applications:

Hotels, hospitals, food processing plants, prisons & large commercial kitchens etc

**\*NO LIDS\* To be used in conjunction with a suitable manhole cover**

