

# GCT Myrtle™ LINEAR CHANNELS

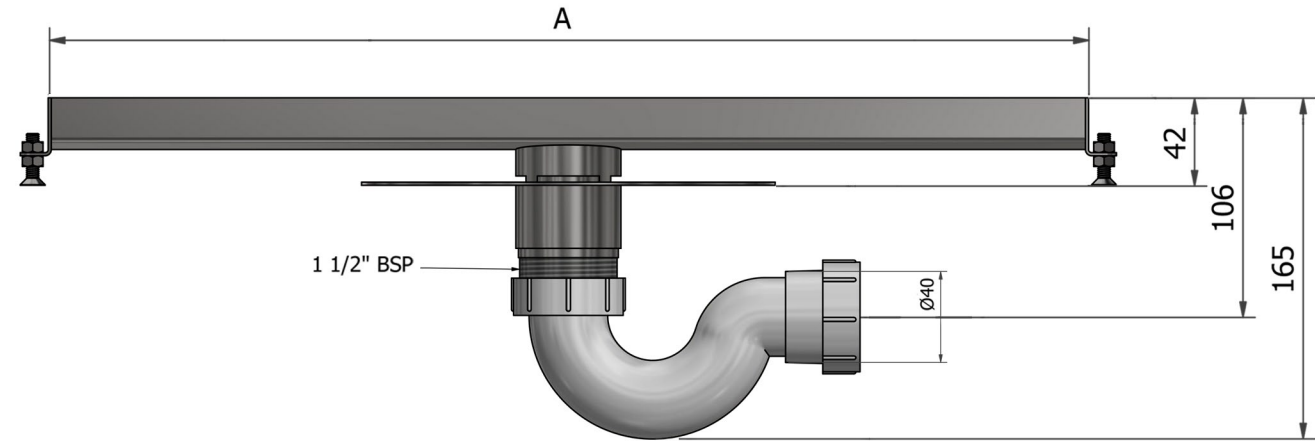
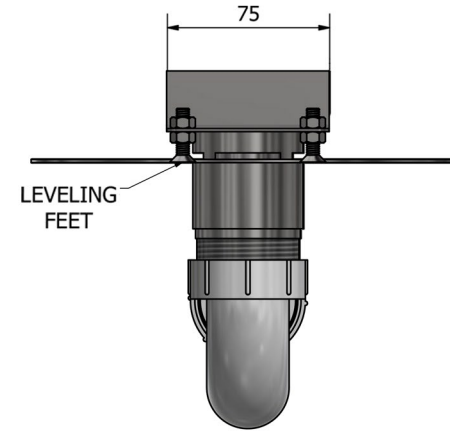
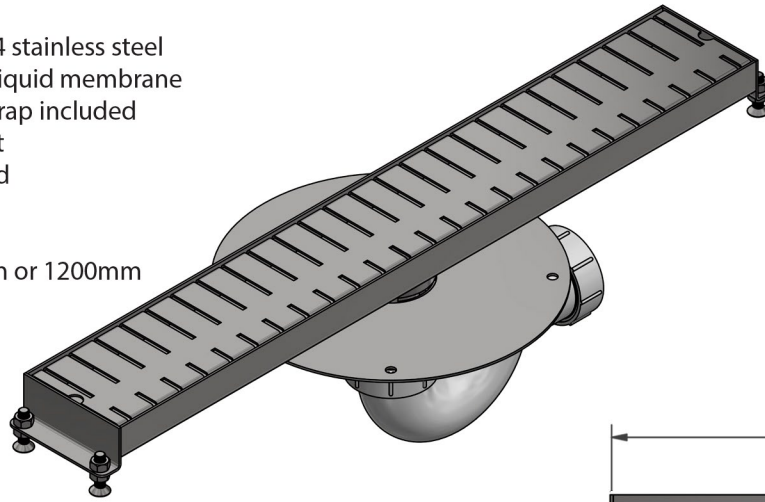
## GCT Myrtle™ LINEAR CHANNELS

### Features

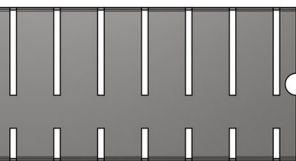
- Manufactured from 304 stainless steel
- Designed for use with liquid membrane
- Plastic Shallow Seal P-Trap included
- Adjustable leveling feet
- Commercially packaged

### A = nominal lengths:

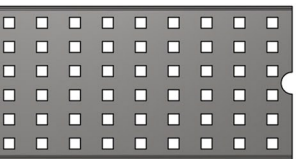
250mm, 500mm, 850mm or 1200mm



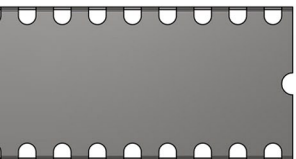
## GRATES



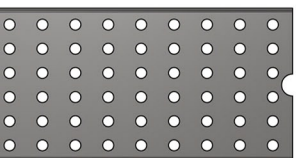
KEYS (Standard)



CUBOID



BUTTON



SPHERE

