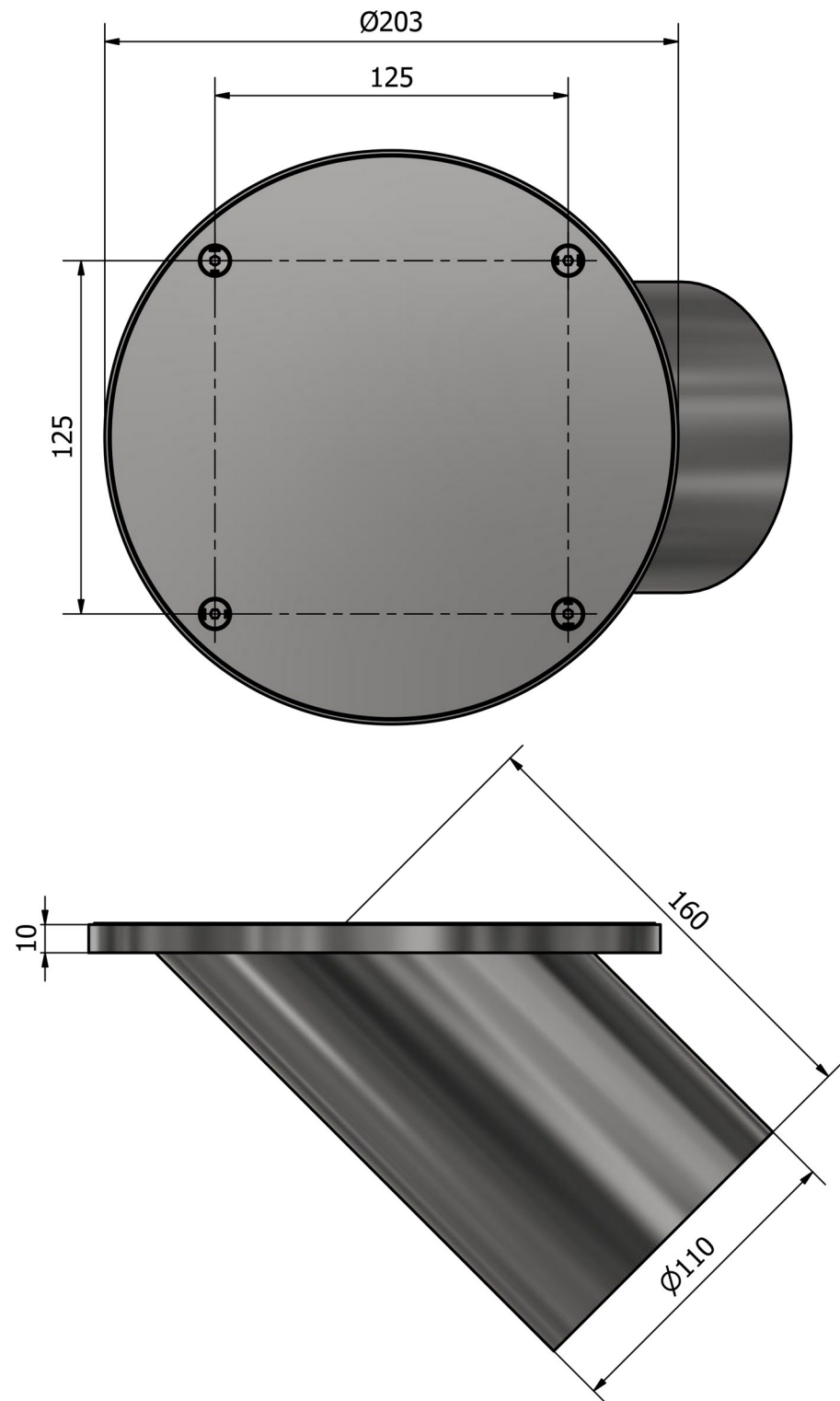
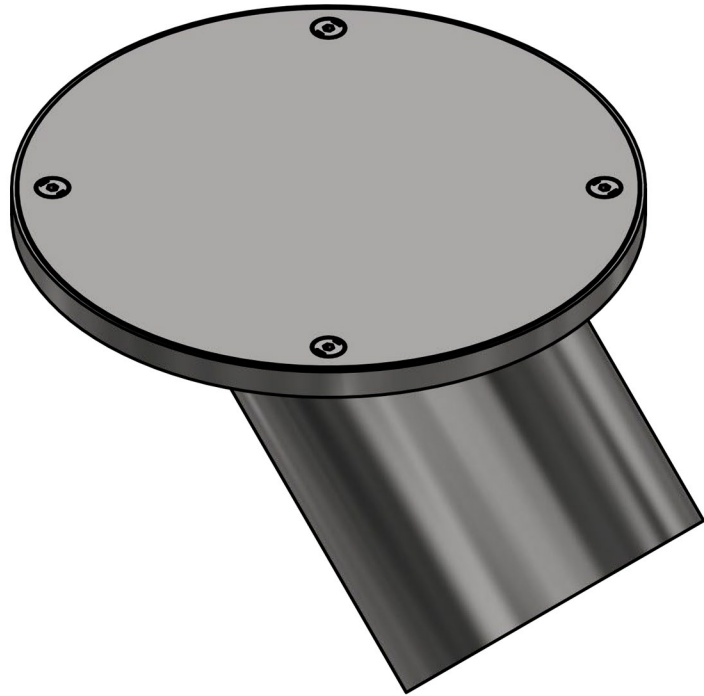


GCT 45RF



GCT 45RF Rodding Eye Fitting

Features

- Manufactured from 304 stainless steel (316 on special order)
- EPDM rubber gasket to eliminate drain odours
- Compatible with tiled or epoxy floors
- Fully pickled/ passivated body
- Tamper-proof lid

Load Class: L15 (15kN)

Net Weight: 2.2KG

General Applications:

Hotels, hospitals, shopping malls, supermarkets, hypermarkets etc