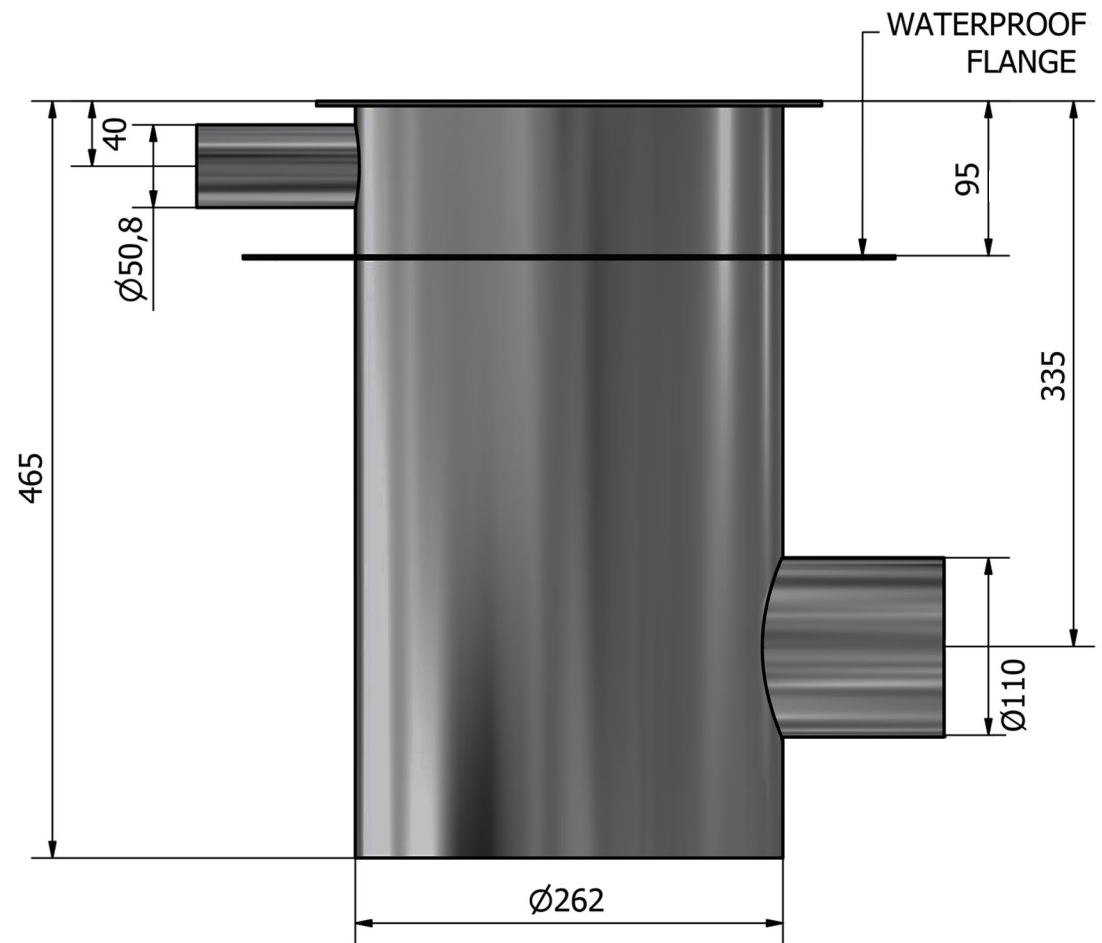
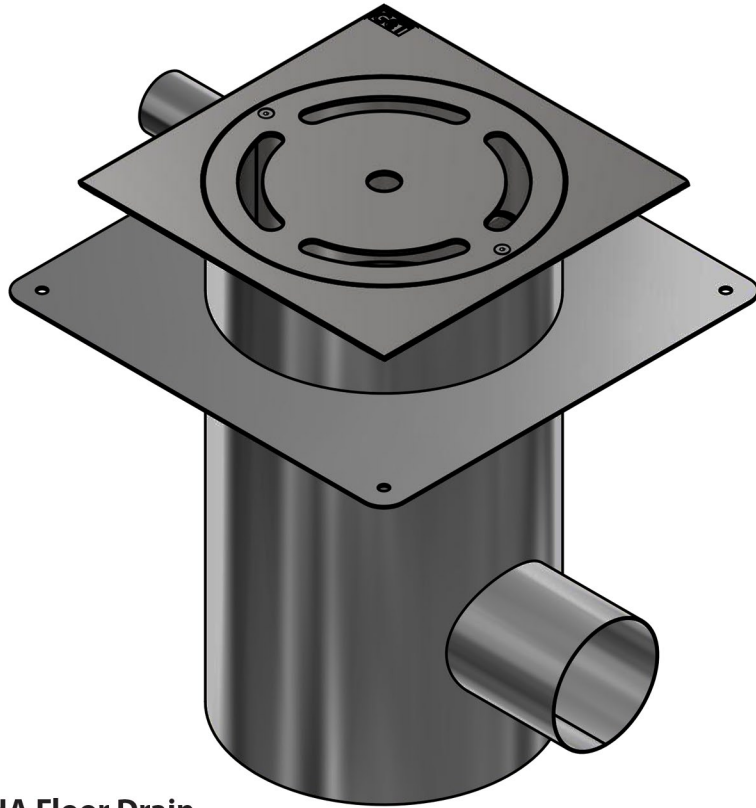


# GCT 260HA



## GCT 260HA Floor Drain

### Features

- Manufactured from 304 stainless steel (316 on special order)
- Removable tamper-proof water seal assembly
- Compatible with standard plumbing fittings
- SANS 51253-1/ EN 1253-1 compliant 50mm water seal
- 1 side inlet above waterproof flange
- Compatible with tiled and epoxy floors
- Smooth body and hygienic joints
- Fully pickled/ passivated body
- Grease separation abilities
- Horizontal (side) outlet pipe
- Removable deep silt basket
- Tamper-proof lid

**Flow Rate:** 4L/sec  
**Load Class:** K3 (3kN)  
**Net Weight:** 13.7KG

### General Applications:

Hypermarkets, commercial & industrial kitchens etc

